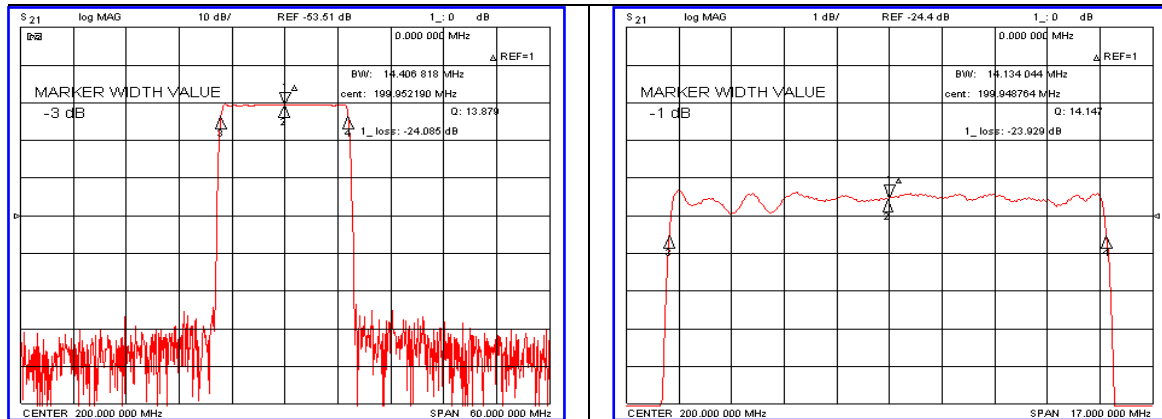


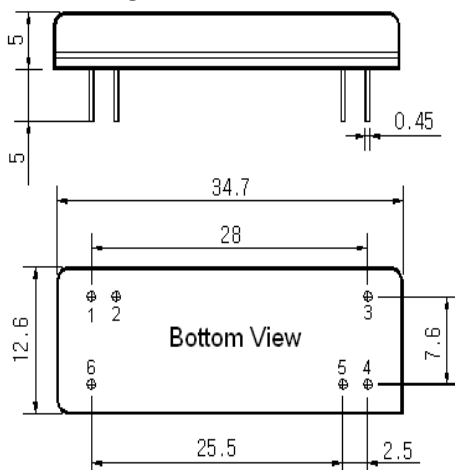
### Typical Performance



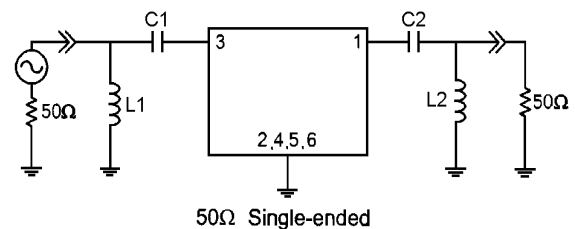
### Specification

Parameter	Unit	Min.	Typ.	Max.
Center Frequency	MHz	199.85	200.00	200.15
Insertion Loss	dB	-	24.10	26.00
1dB Bandwidth	MHz	14.00	14.13	-
3dB Bandwidth	MHz	-	14.40	-
50dB Bandwidth	MHz	-	15.68	15.80
Passband Ripple	dB	-	0.65	1.00
Group Delay Variation	nsec	-	60	120
Absolute Delay	µsec	-	3.15	-
Ultimate Attenuation	dB	50	55	-
Substrate Material	-	112-LiTaO <sub>3</sub>		
Temperature Coefficient	ppm/°C	-20		

### Package Dimension



### Matching Configuration



L1=18nH, L2=15nH, C1=43pF, C2=47pF  
 Source / Load Impedance = 50Ω  
 Ambient Temperature = 25°C

Rev0. 071112

