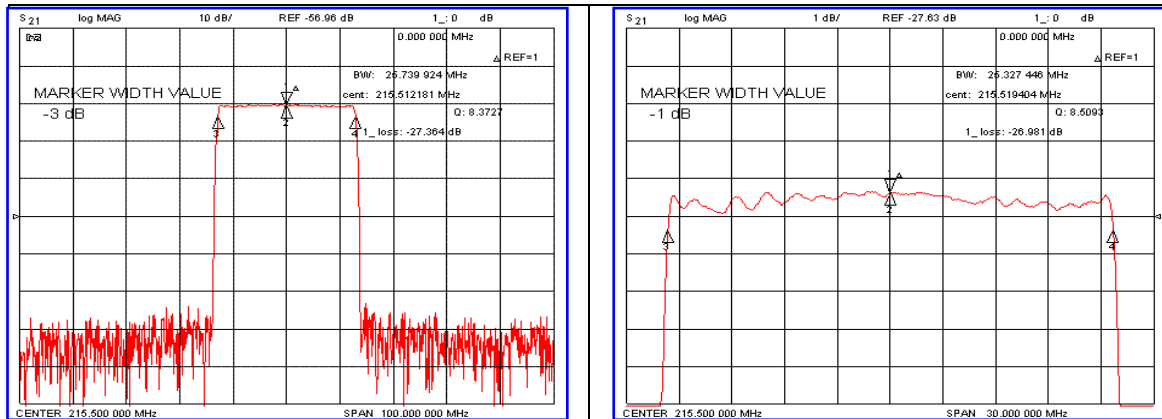


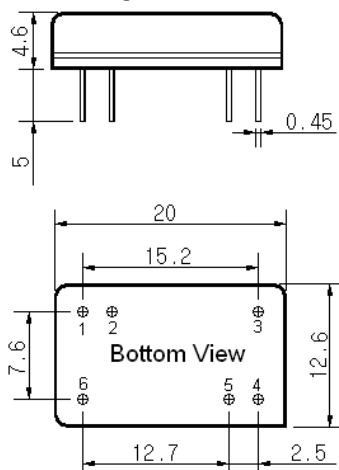
Typical Performance



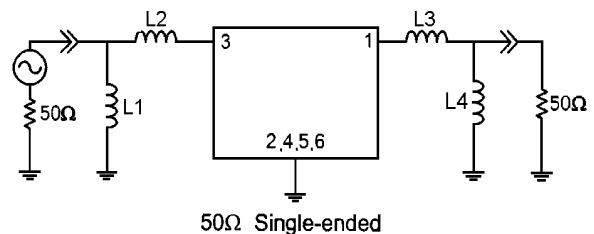
Specification

Parameter	Unit	Min.	Typ.	Max.
Center Frequency	MHz	215.30	215.50	215.70
Insertion Loss	dB	-	27.50	29.00
1dB Bandwidth	MHz	-	25.32	-
3dB Bandwidth	MHz	25.60	25.73	-
40dB Bandwidth	MHz	-	27.40	27.60
Passband Ripple	dB	-	0.65	1.00
Group Delay Variation	nsec	-	50	100
Absolute Delay	μsec	-	2.37	-
Ultimate Attenuation	dB	50	55	-
Substrate Material	-	112-LiTaO ₃		
Temperature Coefficient	ppm/°C	-20		

Package Dimension



Matching Configuration



L1=L4=12nH, L2=2.7nH, L3=3.3nH
 Source / Load Impedance = 50Ω
 Ambient Temperature = 25°C

Rev0. 070620

