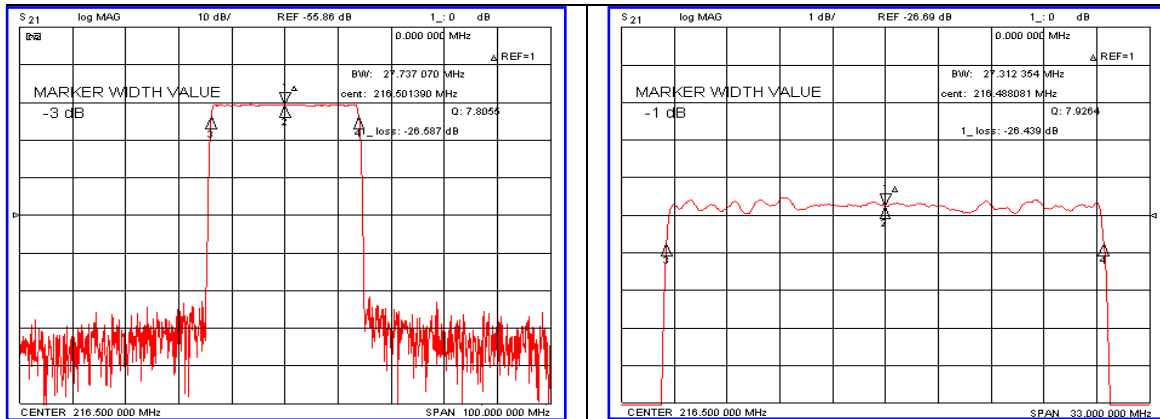


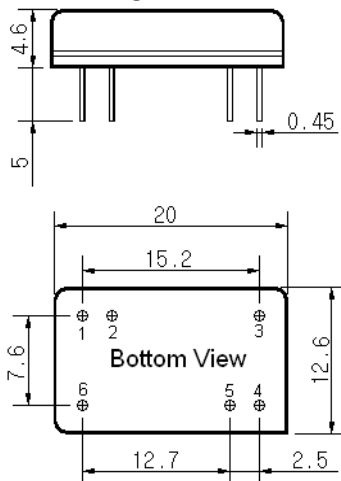
Typical Performance



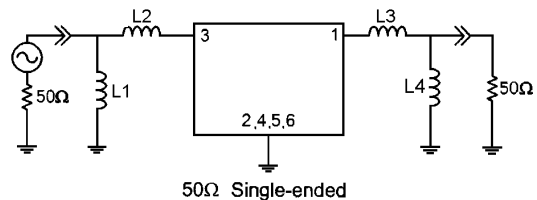
Specification

Parameter	Unit	Min.	Typ.	Max.
Center Frequency	MHz	216.30	216.50	216.70
Insertion Loss	dB	-	26.58	28.00
1dB Bandwidth	MHz	-	27.31	-
3dB Bandwidth	MHz	27.50	27.73	-
40dB Bandwidth	MHz	-	29.47	29.60
Passband Ripple	dB	-	0.50	1.00
Group Delay Variation	nsec	-	30	50
Absolute Delay	μsec	-	2.33	-
Ultimate Attenuation	dB	50	53	-
Substrate Material	-	112-LiTaO ₃		
Temperature Coefficient	ppm/°C ²	-20		

Package Dimension



Matching Configuration



L1=L4=15nH, L2=L3=3.3nH
 Source / Load Impedance = 50Ω
 Ambient Temperature = 25°C

Rev0.070730

