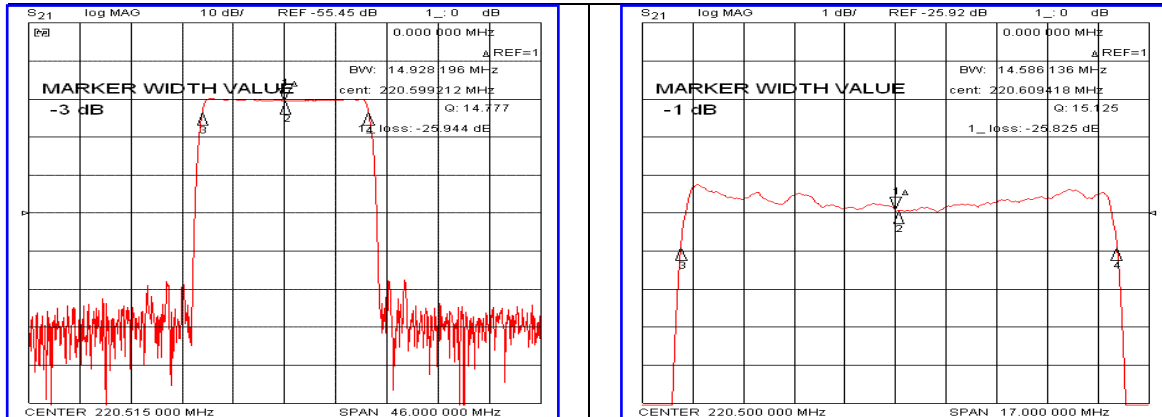




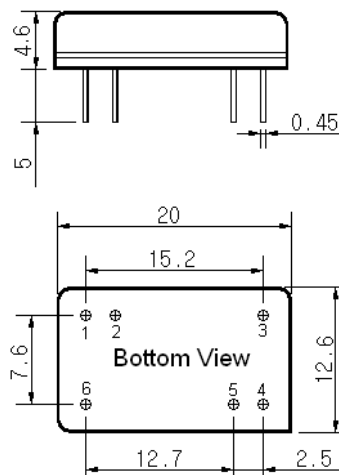
Typical Performance



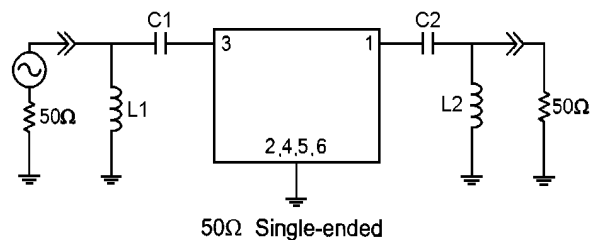
Specification

Parameter	Unit	Min.	Typ.	Max.
Center Frequency	MHz	-	220.50	-
Insertion Loss	dB	-	26.00	28.00
1dB Bandwidth	MHz	14.30	14.58	-
20dB Bandwidth	MHz	-	16.00	16.20
40dB Bandwidth	MHz	-	16.51	-
Passband Ripple($F_c \pm 6.75\text{MHz}$)	dB	-	0.75	1.50
Group Delay Variation($F_c \pm 6.75\text{MHz}$)	nsec	-	50	100
Absolute Delay	μsec	-	2.21	-
Ultimate Attenuation	dB	42	47	-
Substrate Material	-	112-LiTaO ₃		
Temperature Coefficient	ppm/ $^{\circ}\text{C}$	-20		

Package Dimension



Matching Configuration



L1=22nH, L2=22nH, C1=47pF, C2=47pF
 Source / Load Impedance = 50Ω
 Ambient Temperature = 25°C

Rev.0 120326

