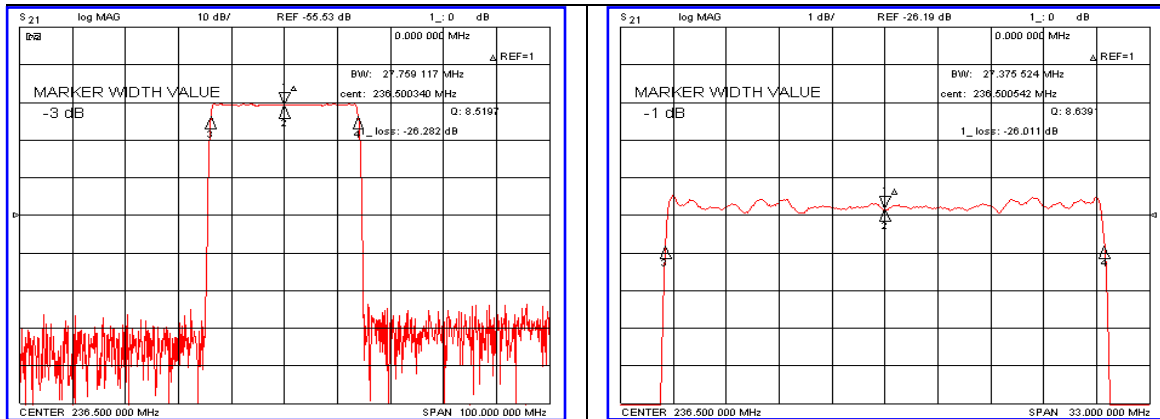


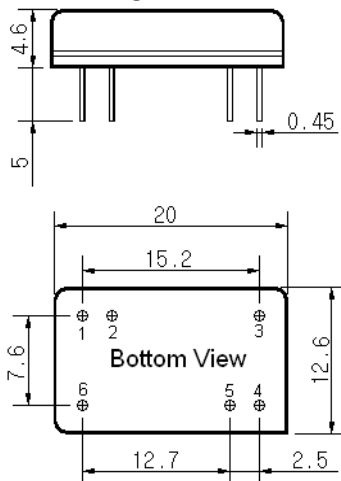
### Typical Performance



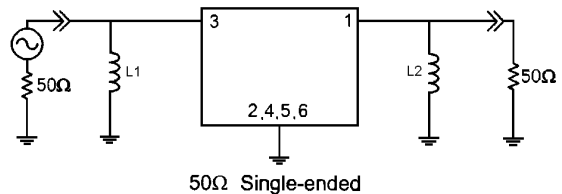
### Specification

Parameter	Unit	Min.	Typ.	Max.
Center Frequency	MHz	236.30	236.50	236.70
Insertion Loss	dB	-	26.28	28.00
1dB Bandwidth	MHz	-	27.37	-
3dB Bandwidth	MHz	27.50	27.75	-
40dB Bandwidth	MHz	-	29.44	29.60
Passband Ripple	dB	-	0.55	1.00
Group Delay Variation	nsec	-	30	50
Absolute Delay	µsec	-	2.29	-
Ultimate Attenuation	dB	50	55	-
Substrate Material	-	112-LiTaO <sub>3</sub>		
Temperature Coefficient	ppm/°C <sup>2</sup>	-20		

### Package Dimension



### Matching Configuration



L1=12nH, L2=12nH  
 Source / Load Impedance = 50Ω  
 Ambient Temperature = 25°C

Rev0.070730

