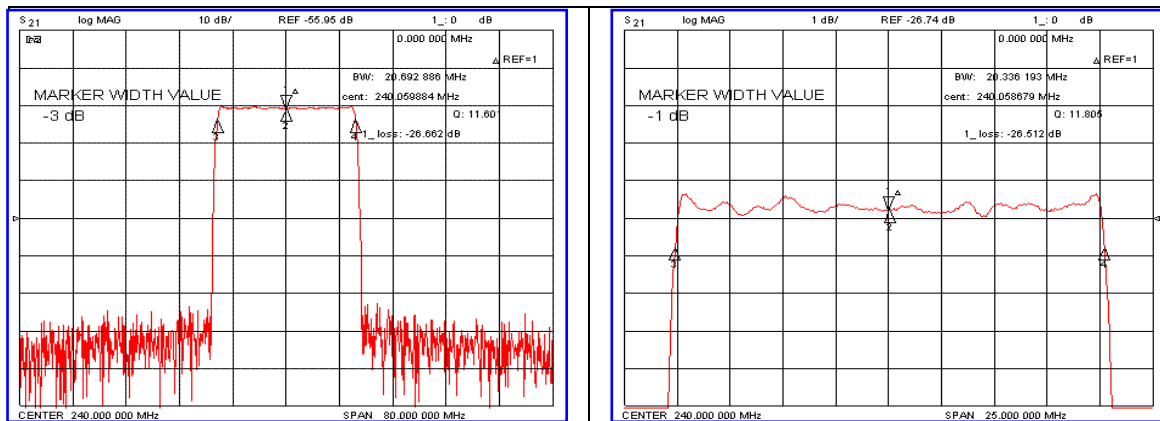


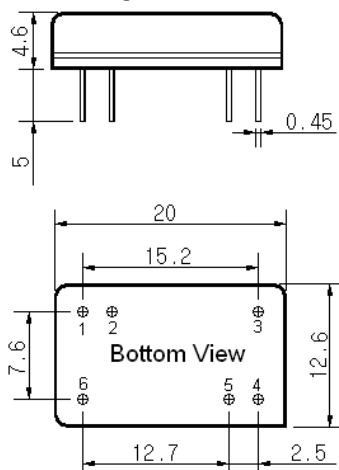
Typical Performance



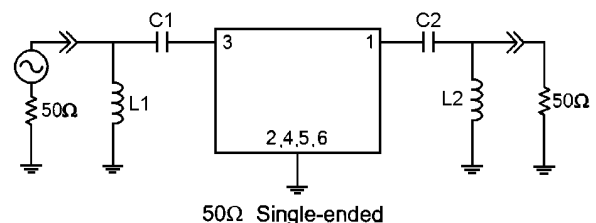
Specification

Parameter	Unit	Min.	Typ.	Max.
Center Frequency	MHz	239.80	240.00	140.20
Insertion Loss	dB	-	26.80	28.00
1dB Bandwidth	MHz	-	20.33	-
3dB Bandwidth	MHz	20.50	20.69	-
40dB Bandwidth	MHz	-	22.30	22.50
Passband Ripple	dB	-	0.65	1.00
Group Delay Variation	nsec	-	50	100
Absolute Delay	μsec	-	2.35	-
Ultimate Attenuation	dB	50	55	-
Substrate Material	-	112-LiTaO ₃		
Temperature Coefficient	ppm/°C	-20		

Package Dimension



Matching Configuration



L1=L2=10nH, C1=100pF, C2=120pF
 Source / Load Impedance = 50Ω
 Ambient Temperature = 25°C

Rev0. 070620

