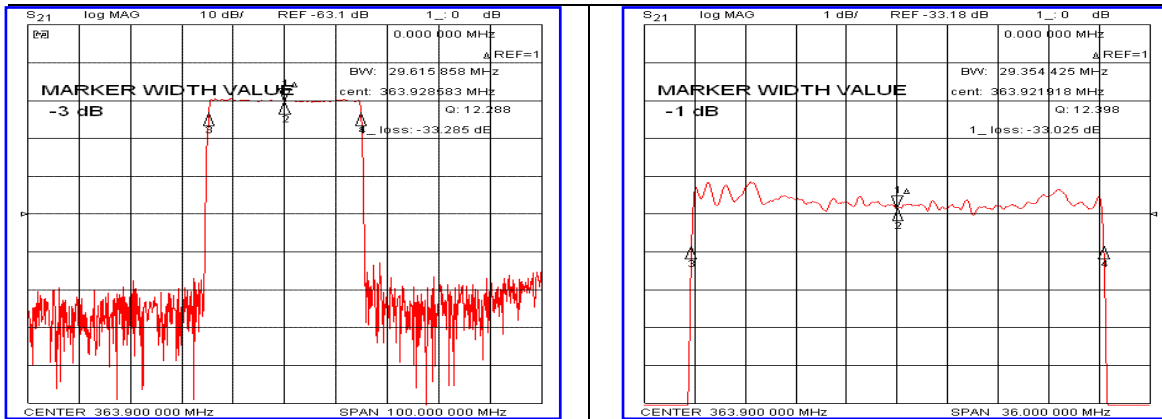


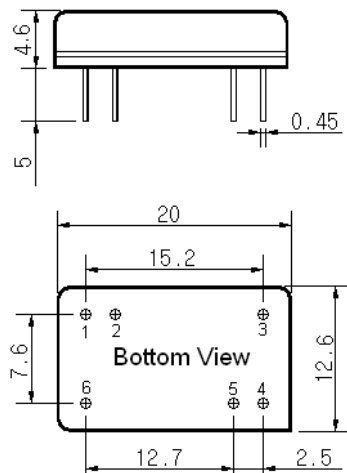
Typical Performance



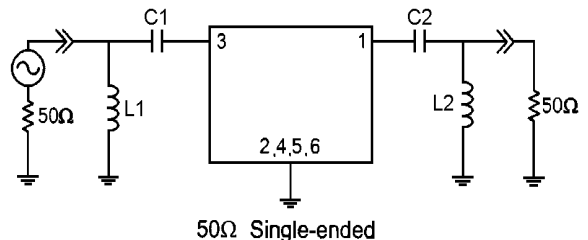
Specification

Parameter	Unit	Min.	Typ.	Max.
Center Frequency	MHz	-	363.90	-
Insertion Loss	dB	-	33.50	35.50
1dB Bandwidth	MHz	29.20	29.35	-
20dB Bandwidth	MHz	-	30.55	-
40dB Bandwidth	MHz	-	31.00	31.20
Passband Ripple($F_c \pm 14.22$ MHz)	dB	-	0.90	1.80
Group Delay Variation($F_c \pm 14.22$ MHz)	nsec	-	50	100
Absolute Delay	μ sec	-	2.63	-
Ultimate Attenuation	dB	40	44	-
Substrate Material	-	112-LiTaO ₃		
Temperature Coefficient	ppm/ $^{\circ}$ C	-20		

Package Dimension



Matching Configuration



L1=6.8nH, L2=10nH, C1=24pF, C2=22pF
 Source / Load Impedance = 50 Ω
 Ambient Temperature = 25 $^{\circ}$ C

Rev.0 120326

