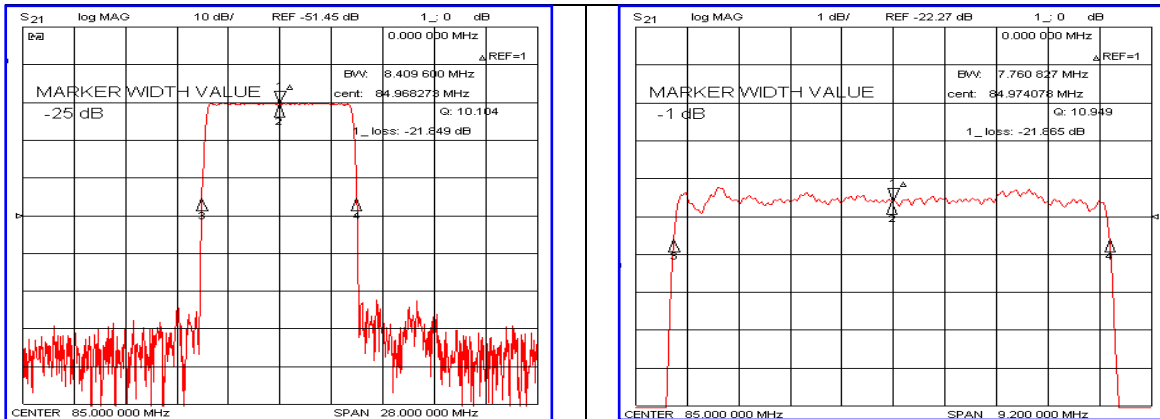


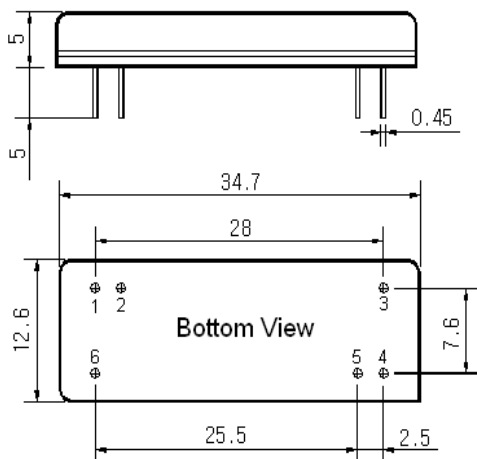
### Typical Performance



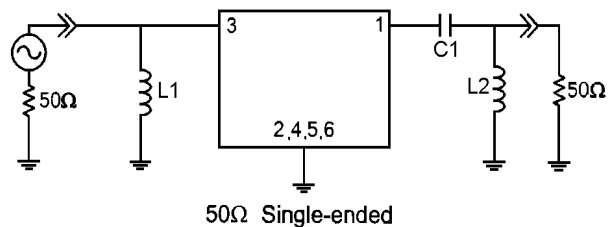
### Specification

Parameter	Unit	Min.	Typ.	Max.
Center Frequency	MHz	84.90	85.00	85.10
Insertion Loss	dB	-	22.00	24.00
1dB Bandwidth	MHz	7.60	7.76	-
25dB Bandwidth	MHz	-	8.40	8.50
40dB Bandwidth	MHz	-	8.53	-
Passband Ripple ( $\Delta F_c \pm 3.8\text{MHz}$ )	dB	-	0.75	1.50
Group Delay Variation ( $\Delta F_c \pm 3.8\text{MHz}$ )	nsec	-	150	250
Absolute Delay	usec	-	4.41	-
Ultimate Attenuation	dB	-	50	-
Substrate Material	-	Yz-LiNbO <sub>3</sub>		
Temperature Coefficient	ppm/°C	-94		

### Package Dimension



### Matching Configuration



L1=180nH, L2=220nH, C1=240pF  
 Source / Load Impedance = 50Ω  
 Ambient Temperature = 25°C

Rev.0 100715

