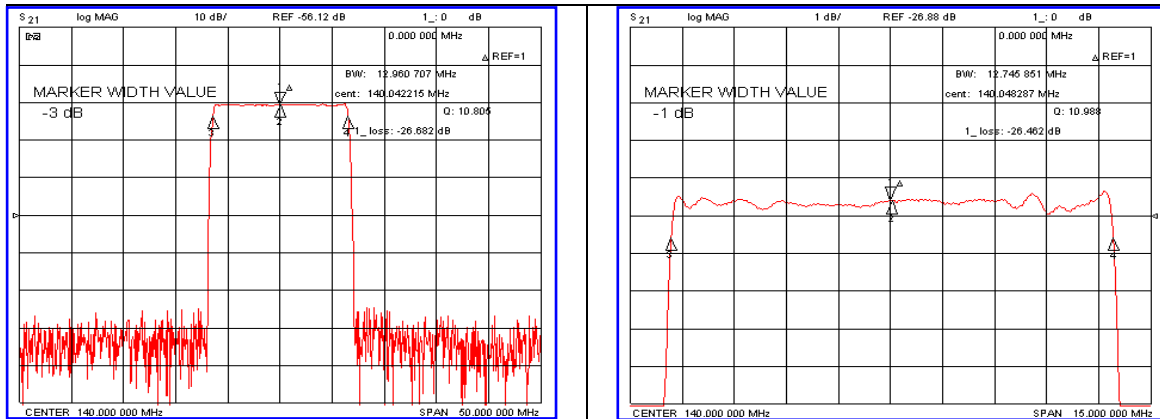


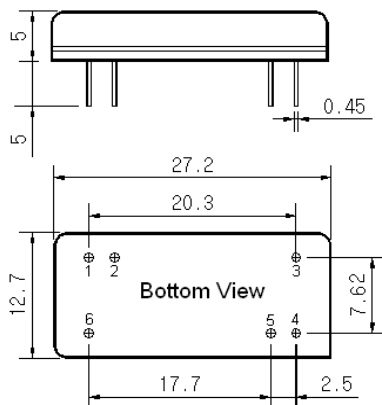
Typical Performance



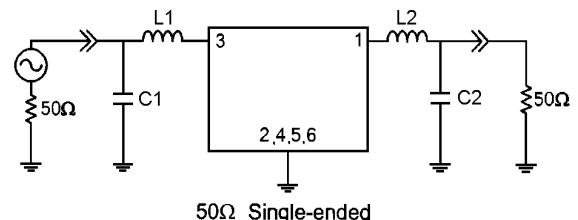
Specification

Parameter	Unit	Min.	Typ.	Max.
Center Frequency	MHz	139.85	140.00	140.15
Insertion Loss	dB	-	26.68	28.00
1dB Bandwidth	MHz	-	12.74	-
3dB Bandwidth	MHz	12.80	12.96	-
20dB Bandwidth	MHz	-	13.59	13.70
40dB Bandwidth	MHz	-	13.89	-
Passband Ripple	dB	-	0.60	1.00
Group Delay Variation	nsec	-	50	100
Absolute Delay	μsec	-	3.88	-
Ultimate Attenuation	dB	50	55	-
Substrate Material	-	112-LiTaO ₃		
Temperature Coefficient	ppm/°C	-20		

Package Dimension



Matching Configuration



L1=39nH, L2=47nH, C1=62pF, C2=47pF
 Source / Load Impedance = 50Ω
 Ambient Temperature = 25°C

Rev0. 071120

