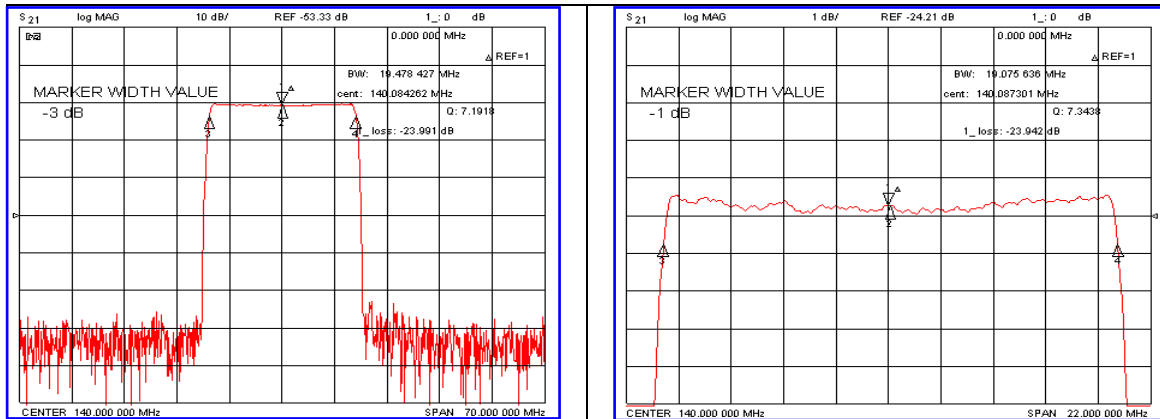


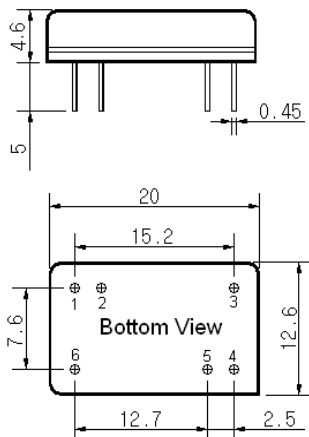
Typical Performance



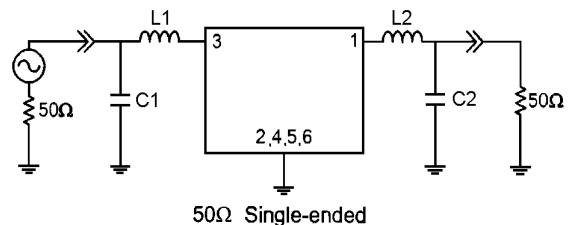
Specification

Parameter	Unit	Min.	Typ.	Max.
Center Frequency	MHz	139.80	140.00	140.20
Insertion Loss	dB	-	24.00	26.00
1dB Bandwidth	MHz	-	19.07	-
3dB Bandwidth	MHz	19.30	19.47	-
20dB Bandwidth	MHz	-	20.67	-
40dB Bandwidth	MHz	-	21.22	21.40
Passband Ripple($F_c \pm 9.22$ MHz)	dB	-	0.55	1.00
Group Delay Variation	nsec	-	30	50
Absolute Delay	μ sec	-	1.66	-
Ultimate Attenuation	dB	50	53	-
Substrate Material	-	128-LiNbO ₃		
Temperature Coefficient	ppm/ $^{\circ}$ C	-72		

Package Dimension



Matching Configuration



L1=39nH, L2=12nH, C1=10pF, C2=18pF
 Source / Load Impedance = 50Ω
 Ambient Temperature = 25°C

Rev0. 071130

