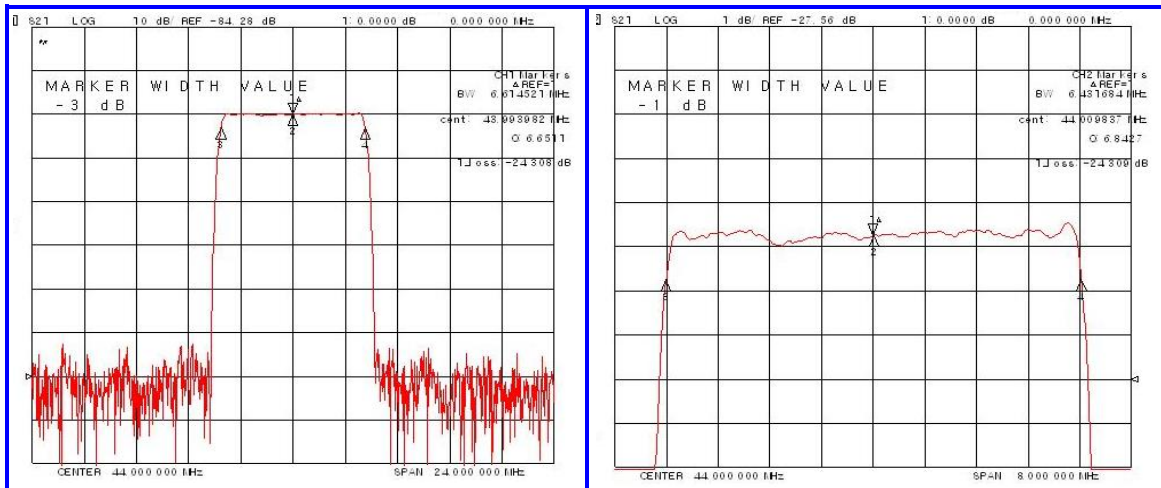


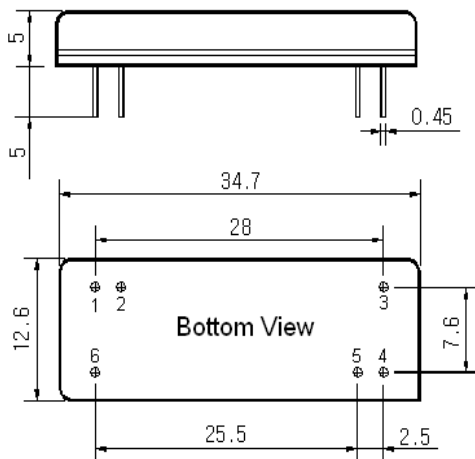
Typical Performance



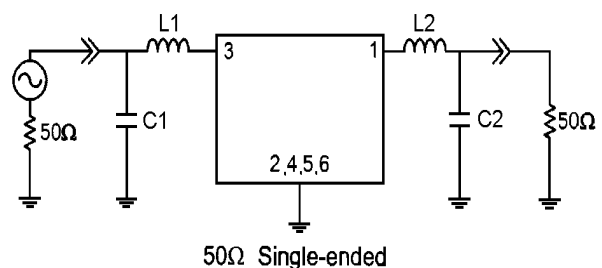
Specification

Parameter	Unit	Min.	Typ.	Max.
Center Frequency	MHz	-	44.00	-
Insertion Loss	dB	-	24.50	26.50
1dB Bandwidth	MHz	6.30	6.40	-
3dB Bandwidth	MHz	-	6.60	-
40dB Bandwidth	MHz	-	7.40	7.50
Passband Ripple(Fc ± 2.93MHz)	dB	-	0.40	1.00
Group Delay Variation(Fc ± 2.93MHz)	nsec	-	50	100
Absolute Delay	usec	-	3.37	-
Ultimate Attenuation	dB	47	52	-
Temperature Coefficient	ppm/°C		-72	

Package Dimension



Matching Configuration



L1=68nH, L2=56nH, C1=16pF, C2=62pF
 Source / Load Impedance = 50Ω
 Ambient Temperature = 25°C

Rev.0 170623

