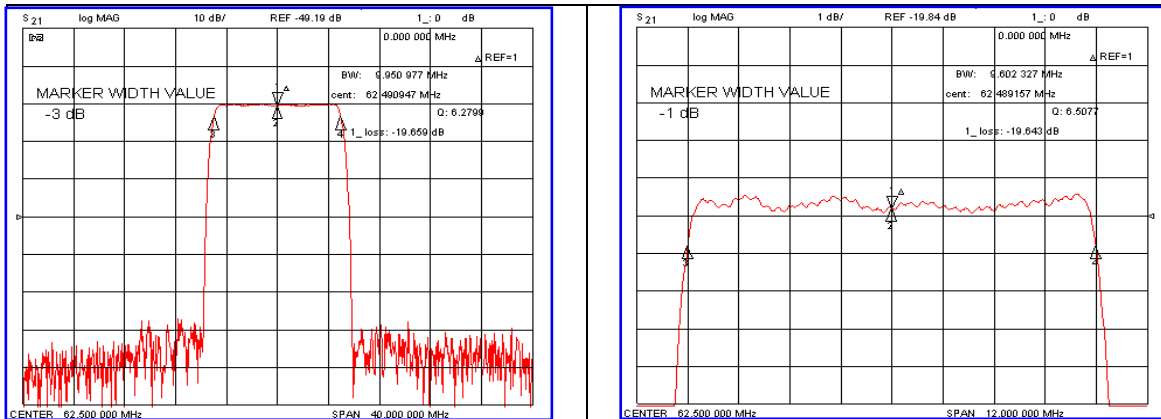


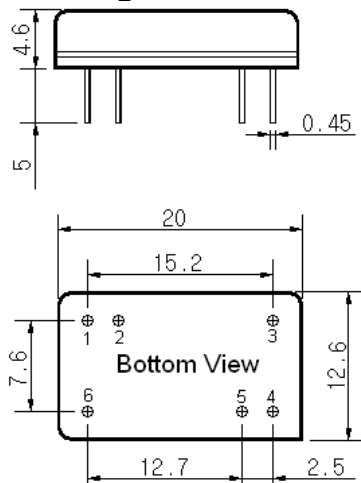
Typical Performance



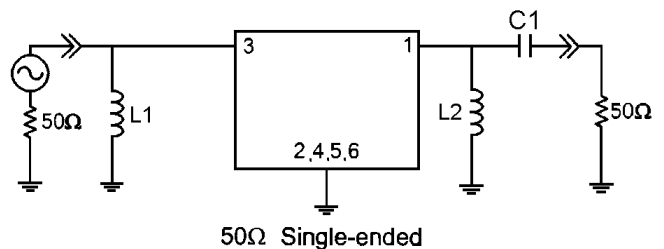
Specification

Parameter	Unit	Min.	Typ.	Max.
Center Frequency	MHz	62.42	62.50	62.58
Insertion Loss	dB	-	20.00	22.00
1dB Bandwidth	MHz	9.40	9.60	-
3dB Bandwidth	MHz	-	9.95	-
40dB Bandwidth	MHz	-	11.45	11.60
Passband Ripple	dB	-	0.55	1.00
Group Delay Variation	nsec	-	60	120
Absolute Delay	µsec	-	1.93	-
Ultimate Attenuation	dB	50	55	-
Substrate Material	-	128- LiNbO ₃		
Temperature Coefficient	ppm/°C	-72		

Package Dimension



Matching Configuration



L1=150nH, L2=150nH, C1=39pF
 Source / Load Impedance = 50Ω
 Ambient Temperature = 25°C

Rev0. 090915

