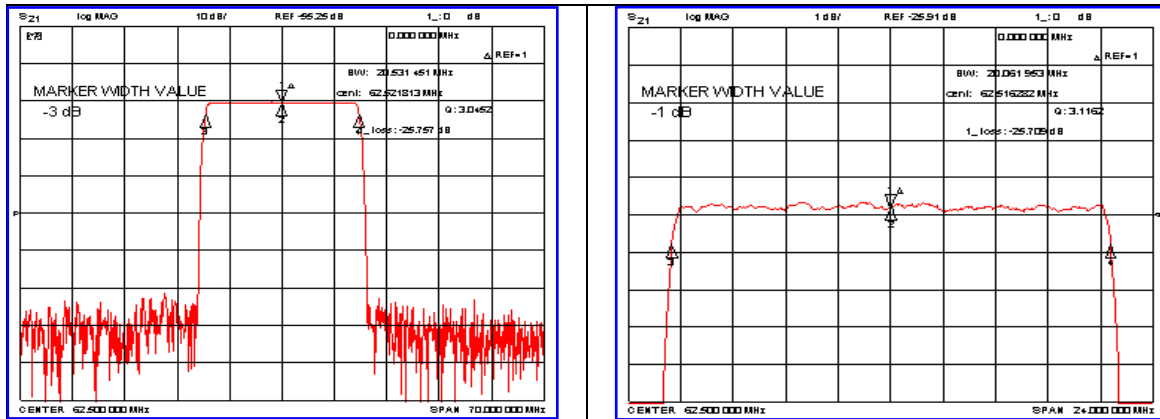


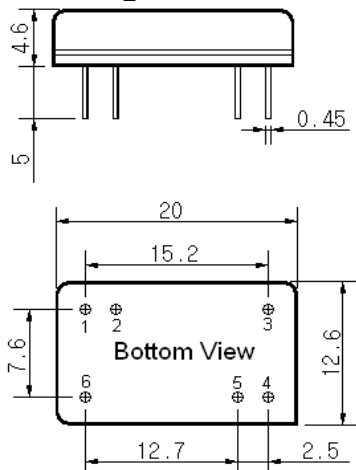
### Typical Performance



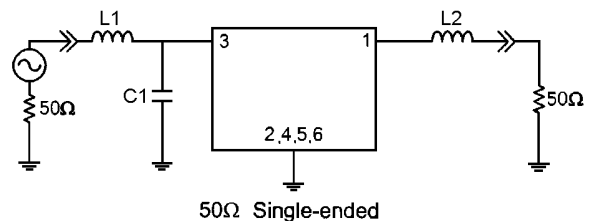
### Specification

Parameter	Unit	Min.	Typ.	Max.
Center Frequency	MHz	62.45	62.52	62.55
Insertion Loss	dB	-	25.70	26.50
1dB Bandwidth	MHz	-	20.06	-
3dB Bandwidth	MHz	20.40	20.53	-
40dB Bandwidth	MHz	-	22.39	22.50
Passband Ripple( $F_c \pm 9.75\text{MHz}$ )	dB	-	0.45	1.00
Group Delay Variation( $F_c \pm 9.75\text{MHz}$ )	nsec	-	30	50
Absolute Delay	$\mu\text{sec}$	-	1.84	-
Ultimate Attenuation	dB	50	55	-
Substrate Material	-	128-LiNbO <sub>3</sub>		
Temperature Coefficient	ppm/ $^{\circ}\text{C}$	-72		

### Package Dimension



### Matching Configuration



$L1=180\text{nH}$ ,  $L2=220\text{nH}$ ,  $C1=12\text{pF}$   
 Source / Load Impedance = 50 $\Omega$   
 Ambient Temperature = 25 $^{\circ}\text{C}$

Rev0. 080205

