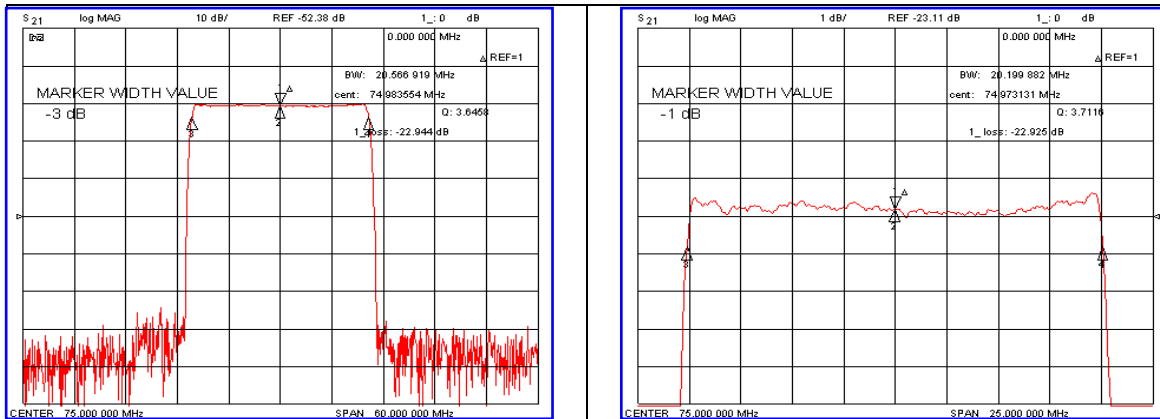


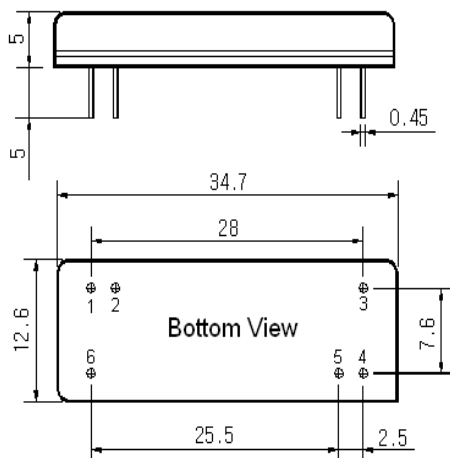
Typical Performance



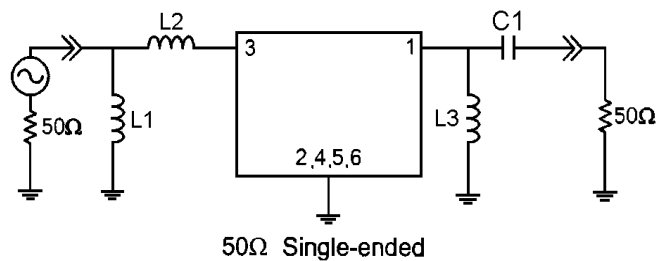
Specification

Parameter	Unit	Min.	Typ.	Max.
Center Frequency	MHz	74.92	75.00	75.08
Insertion Loss	dB	-	23.00	25.00
1dB Bandwidth	MHz	20.00	20.19	-
3dB Bandwidth	MHz	-	20.56	-
40dB Bandwidth	MHz	-	22.10	22.20
Passband Ripple	dB	-	0.67	1.00
Group Delay Variation	nsec	-	40	80
Absolute Delay	usec	-	2.08	-
Ultimate Attenuation	dB	50	55	-
Substrate Material	-	128-LiNbO ₃		
Temperature Coefficient	ppm/°C	-72		

Package Dimension



Matching Configuration



L1=120nH, L2=68nH, L3=120nH C1=36pF
 Source / Load Impedance = 50Ω
 Ambient Temperature = 25°C

Rev.0 091110

