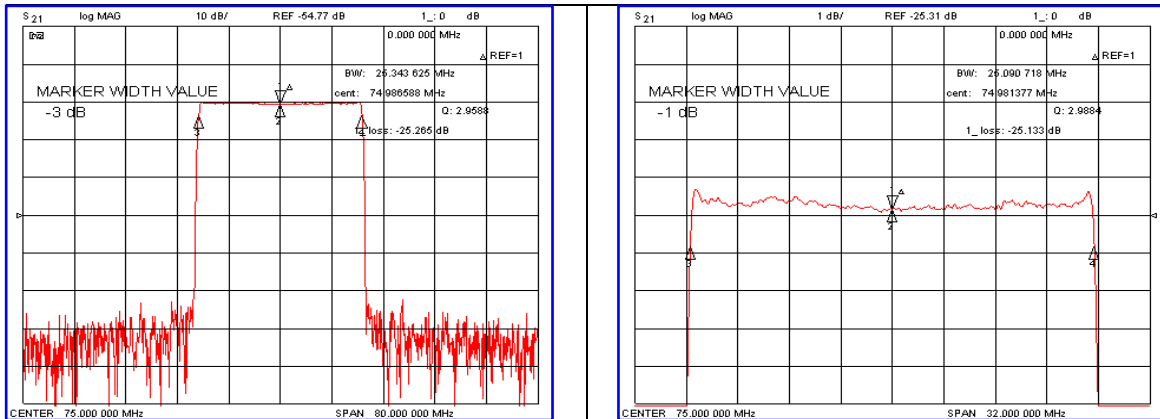


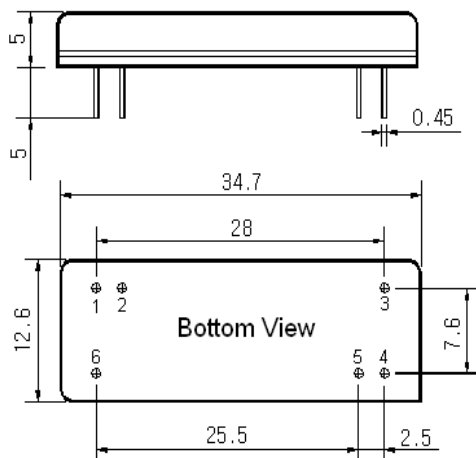
Typical Performance



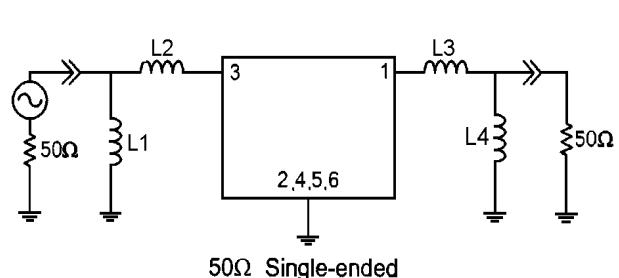
Specification

Parameter	Unit	Min.	Typ.	Max.
Center Frequency	MHz	74.92	75.00	75.08
Insertion Loss	dB	-	25.50	27.00
1dB Bandwidth	MHz	24.90	25.09	-
3dB Bandwidth	MHz	-	25.34	-
40dB Bandwidth	MHz	-	26.50	26.60
Passband Ripple	dB	-	0.65	1.00
Group Delay Variation	nsec	-	30	50
Absolute Delay	usec	-	2.74	-
Ultimate Attenuation	dB	50	53	-
Substrate Material	-	128-LiNbO ₃		
Temperature Coefficient	ppm/°C	-72		

Package Dimension



Matching Configuration



L1=220nH, L2=82nH, L3=100nH, L4=220nH
 Source / Load Impedance = 50Ω
 Ambient Temperature = 25°C

Rev.0 091127

