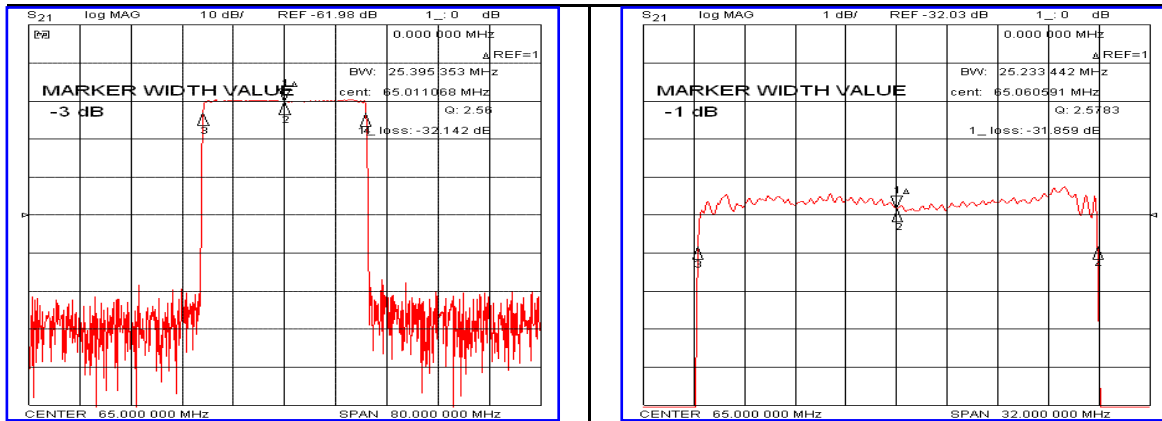


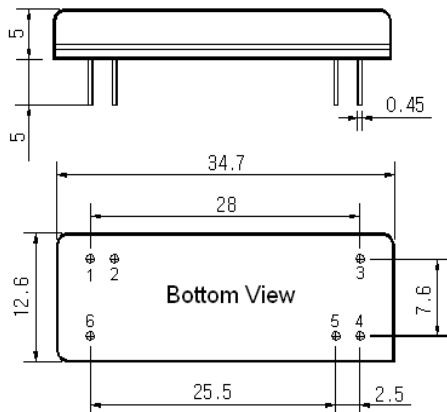
Typical Performance



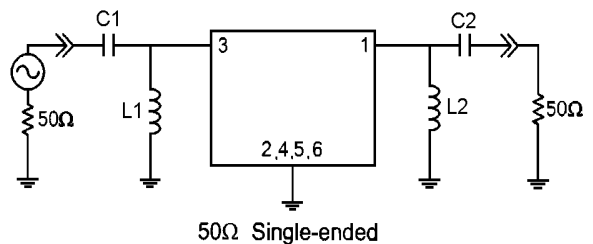
Specification

Parameter	Unit	Min.	Typ.	Max.
Center Frequency	MHz	64.96	65.00	65.04
Insertion Loss	dB	-	32.20	35.00
1dB Bandwidth	MHz	-	25.23	-
3dB Bandwidth	MHz	25.20	25.39	-
Passband Ripple	dB	-	0.82	1.30
Ultimate Attenuation	dB	-	45	-
Group Delay Variation	nsec	-	50	100
Absolute Delay	µsec	-	3.60	-
Relative Attenuation				
$F_c \pm 12.7M \pm 0.4MHz$ Point	dB	30	35	-
$F_c \pm 12.7M \pm 0.6MHz$ Point	dB	40	45	-
Temperature Coefficient	ppm/°C		-72	

Package Dimension



Matching Configuration



L1=100nH, L2=120nH, C1=100pF, C2=43pF  
Source / Load Impedance = 50Ω  
Ambient Temperature = 25°C

Rev 0. 120706

