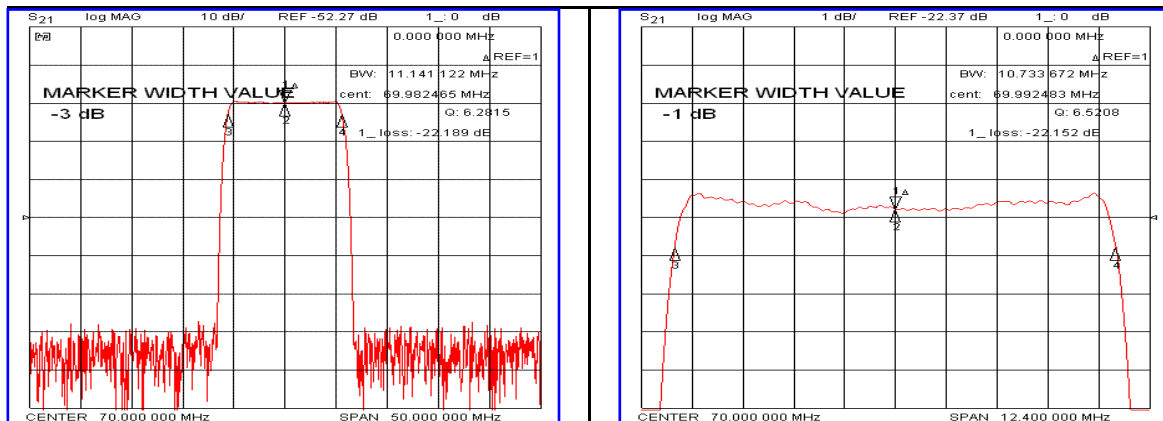


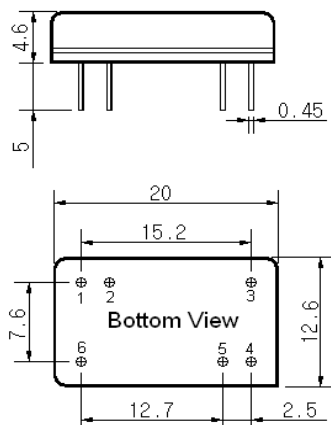
### Typical Performance



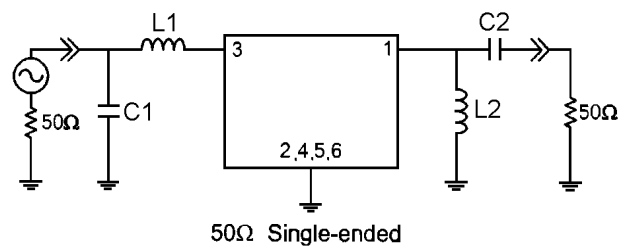
### Specification

Parameter	Unit	Min.	Typ.	Max.
Center Frequency	MHz	-	70.00	-
Insertion Loss	dB	-	22.20	25.00
1dB Bandwidth	MHz	10.50	10.73	-
Passband Ripple( $F_c \pm 4.61$ MHz)	dB	-	0.50	1.00
Ultimate Attenuation	dB	50	55	-
Group Delay Variation( $F_c \pm 4.61$ MHz)	nsec	-	50	100
Absolute Delay	$\mu$ sec	-	1.93	-
Relative Attenuation				
$\Delta F_c \pm 4.61M \pm 2.7$ MHz Point	dB	25	50	-
$\Delta F_c \pm 4.61M \pm 3.5$ MHz Point	dB	40	55	-
Substrate Material	-	128-LiNbO <sub>3</sub>		
Temperature Coefficient	ppm/ $^{\circ}$ C	-72		

### Package Dimension



### Matching Configuration



L1=27nH, L2=120nH, C1=22pF, C2=82pF  
 Source / Load Impedance = 50 $\Omega$   
 Ambient Temperature = 25 $^{\circ}$ C

Rev 0. 120706

