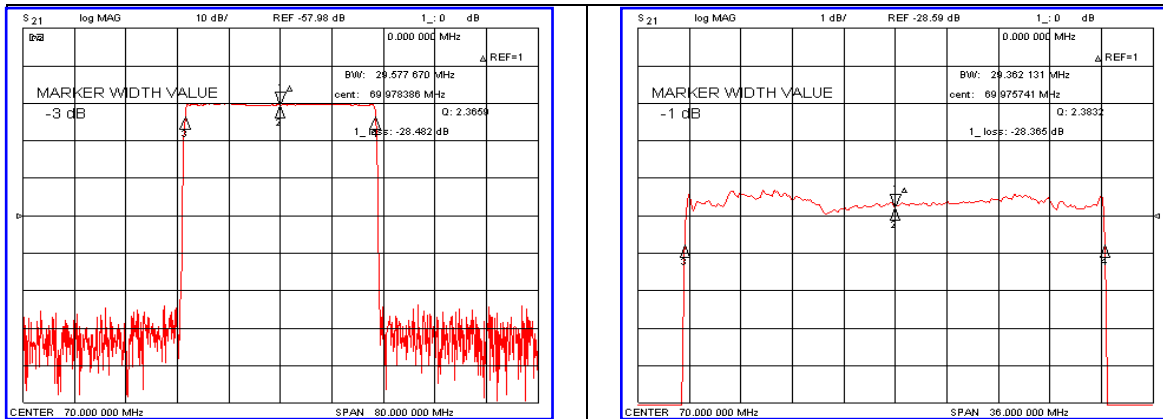


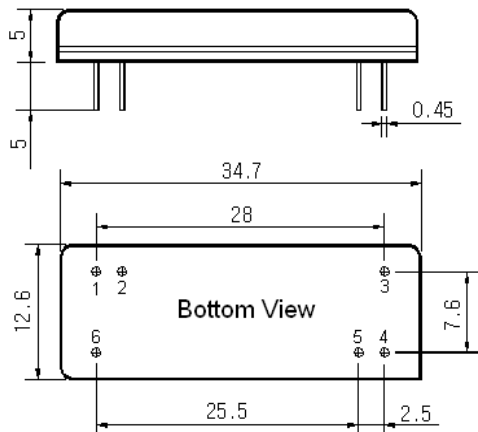
Typical Performance



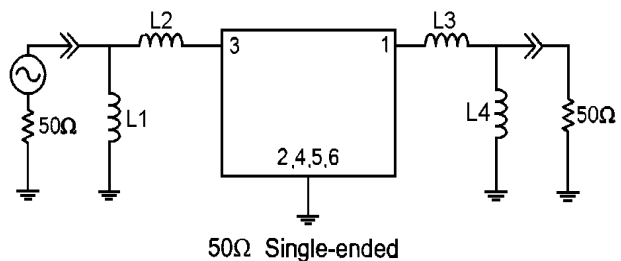
Specification

Parameter	Unit	Min.	Typ.	Max.
Center Frequency	MHz	-	70.00	-
Insertion Loss	dB	-	28.50	30.50
1dB Bandwidth	MHz	29.25	29.36	-
3dB Bandwidth	MHz	-	29.57	-
40dB Bandwidth	MHz	-	30.55	30.65
50dB Bandwidth	MHz	-	30.85	-
Passband Ripple( $F_c \pm 14.32\text{MHz}$ )	dB	-	0.65	1.00
Group Delay Variation( $F_c \pm 14.32\text{MHz}$ )	nsec	-	30	50
Absolute Delay	usec	-	3.22	-
Ultimate Attenuation	dB	-	53	-
Substrate Material	-	128-LiNbO <sub>3</sub>		
Temperature Coefficient	ppm/°C	-72		

Package Dimension



Matching Configuration



L1=180nH, L2=82nH, L3=82nH, L4=180nH  
Source / Load Impedance = 50Ω  
Ambient Temperature = 25°C

Rev.0 091117

