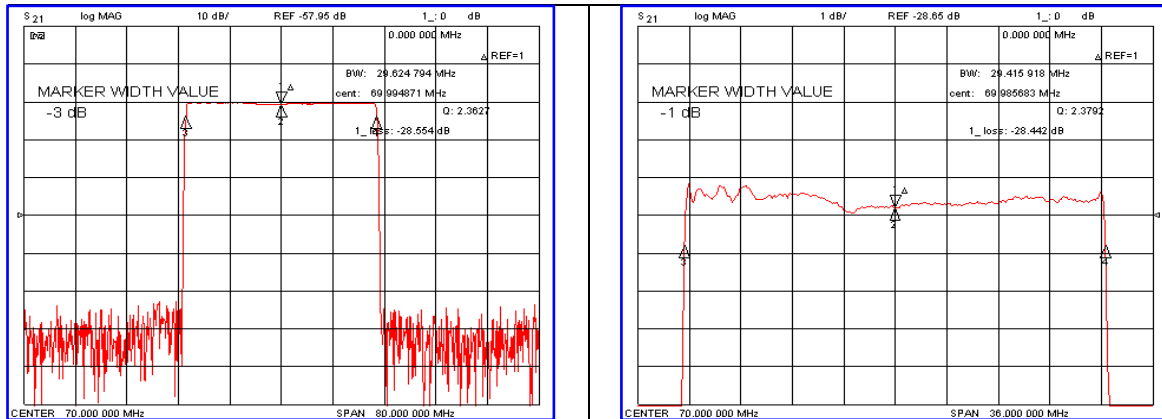


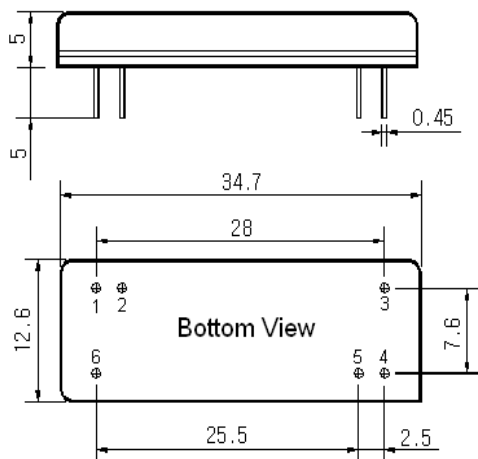
Typical Performance



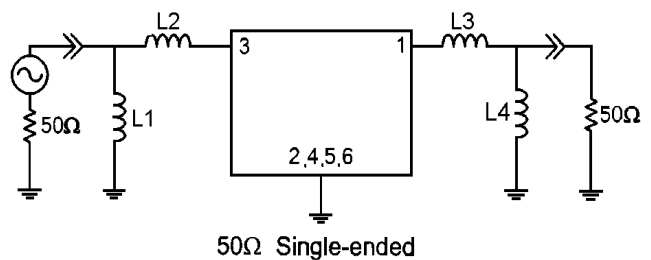
Specification

Parameter	Unit	Min.	Typ.	Max.
Center Frequency	MHz	-	70.00	-
Insertion Loss	dB	-	28.55	30.50
1dB Bandwidth	MHz	29.25	29.41	-
3dB Bandwidth	MHz	-	39.62	-
40dB Bandwidth	MHz	-	30.75	-
Passband Ripple($F_c \pm 14.32\text{MHz}$)	dB	-	0.72	1.00
Group Delay Variation($F_c \pm 14.32\text{MHz}$)	nsec	-	35	50
Absolute Delay	usec	-	3.21	-
Ultimate Attenuation	dB	-	53	-
Substrate Material	-	128-LiNbO ₃		
Temperature Coefficient	ppm/°C	-72		

Package Dimension



Matching Configuration



L1=180nH, L2=82nH, L3=68nH, L4=180nH
Source / Load Impedance = 50Ω
Ambient Temperature = 25°C

Rev.0 091214

