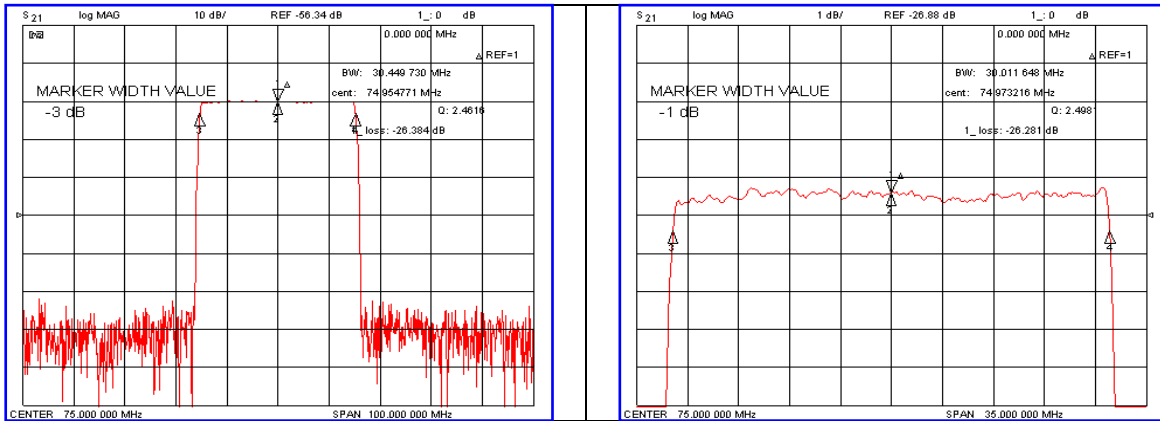


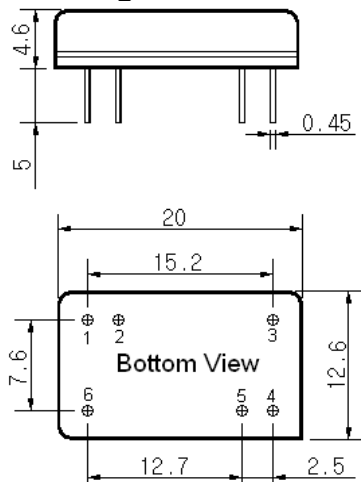
### Typical Performance



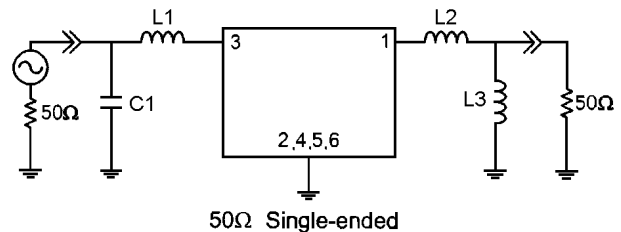
### Specification

Parameter	Unit	Min.	Typ.	Max.
Center Frequency	MHz	-	75.00	-
Insertion Loss	dB	-	26.38	28.00
1dB Bandwidth	MHz	29.90	30.01	-
3dB Bandwidth	MHz	-	30.44	-
40dB Bandwidth	MHz	-	32.20	32.40
Passband Ripple( $F_c \pm 14.52$ MHz)	dB	-	0.45	1.00
Group Delay Variation( $F_c \pm 14.52$ MHz)	nsec	-	30	50
Absolute Delay	$\mu$ sec	-	1.82	-
Ultimate Attenuation	dB	48	53	-
Substrate Material	-	128- LiNbO <sub>3</sub>		
Temperature Coefficient	ppm/ $^{\circ}$ C	-72		

### Package Dimension



### Matching Configuration



L1=220nH, L2=150nH, L3=270nH, C1=10pF  
 Source / Load Impedance = 50 $\Omega$   
 Ambient Temperature = 25 $^{\circ}$ C

Rev0. 090717

