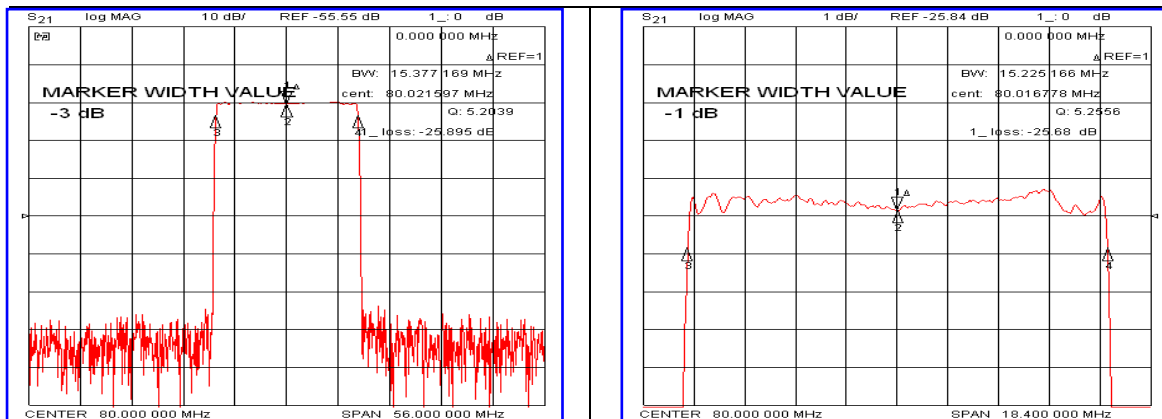


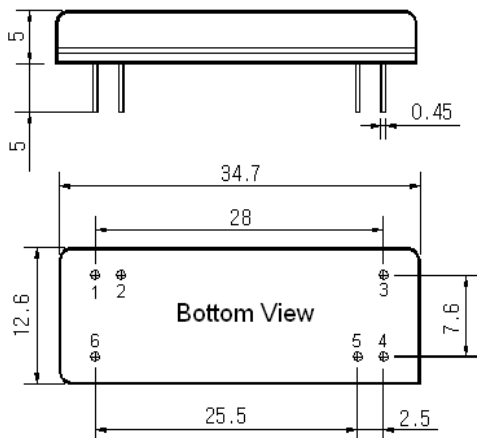
Typical Performance



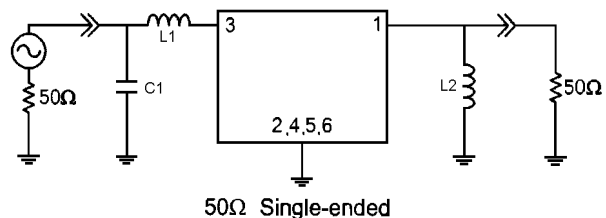
Specification

| Parameter | Unit | Min. | Typ. | Max. |
|---|--------|------------------------|-------|-------|
| Center Frequency | MHz | - | 80.00 | - |
| Insertion Loss | dB | - | 26.00 | 28.00 |
| 1dB Bandwidth | MHz | 15.00 | 15.22 | - |
| 3dB Bandwidth | MHz | - | 15.37 | - |
| 40dB Bandwidth | MHz | - | 16.06 | 16.20 |
| Passband Ripple(Fc ± 7.47MHz) | dB | - | 0.80 | 1.50 |
| Relative Attenuation Fc-7.47-0.45MHz | dB | - | 22 | - |
| Absolute Delay | usec | - | 3.88 | - |
| Ultimate Attenuation | dB | 48 | 52 | - |
| Substrate Material | - | 128-LiNbO ₃ | | |
| Temperature Coefficient | ppm/°C | -72 | | |

Package Dimension



Matching Configuration



L1=56nH, L2=270nH, C1=20pF
 Source / Load Impedance = 50Ω
 Ambient Temperature = 25°C

Rev.0 101020

