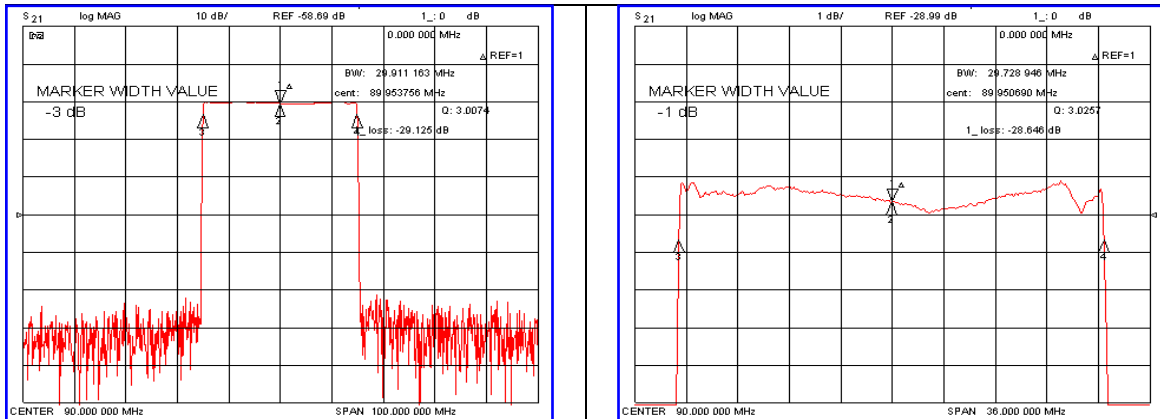


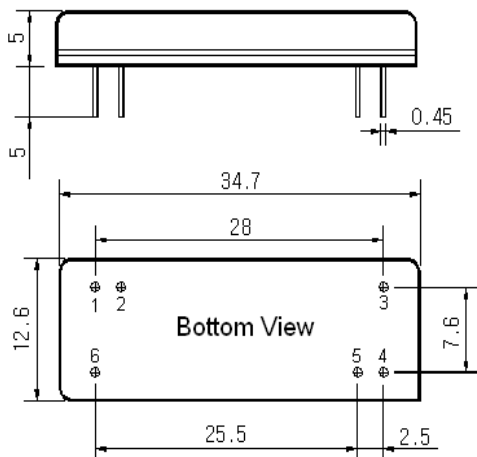
Typical Performance



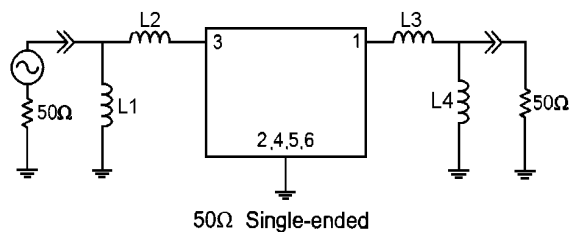
Specification

Parameter	Unit	Min.	Typ.	Max.
Center Frequency	MHz	-	90.00	-
Insertion Loss	dB	-	29.12	31.00
1dB Bandwidth	MHz	29.60	29.72	-
3dB Bandwidth	MHz	-	29.91	-
50dB Bandwidth	MHz	-	30.91	31.00
Passband Ripple( $F_c \pm 14.22\text{MHz}$ )	dB	-	0.85	1.10
Group Delay Variation( $F_c \pm 14.22\text{MHz}$ )	nsec	-	50	100
Absolute Delay	$\mu\text{sec}$	-	3.48	-
Ultimate Attenuation	dB	48	52	-
Substrate Material	-	128-LiNbO <sub>3</sub>		
Temperature Coefficient	ppm/ $^{\circ}\text{C}$	-72		

Package Dimension



Matching Configuration



L1=100nH, L2=10nH, L3=47nH, L4=100nH  
Source / Load Impedance = 50 $\Omega$   
Ambient Temperature = 25 $^{\circ}\text{C}$

Rev.0 100413

