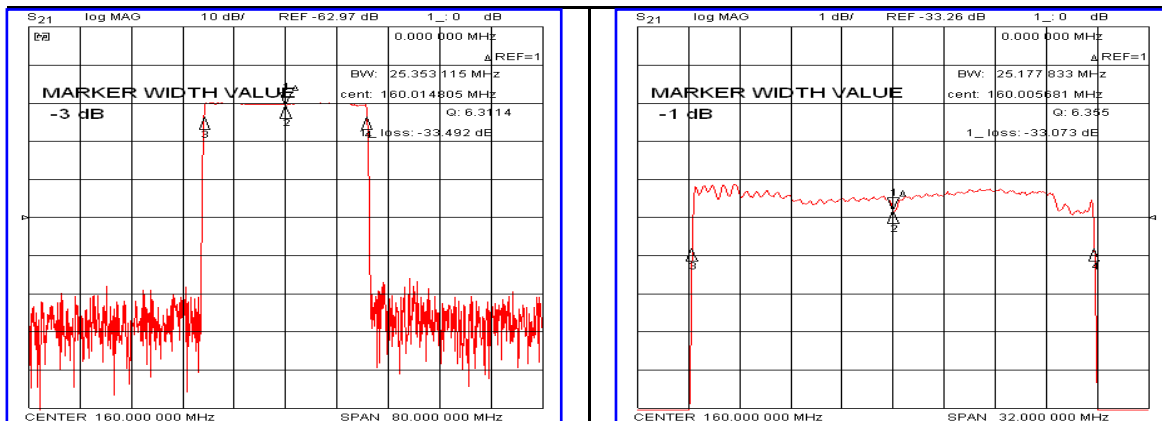


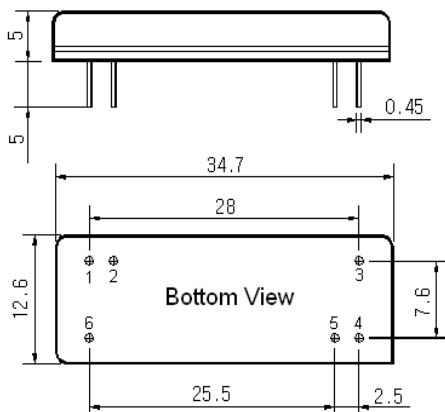
Typical Performance



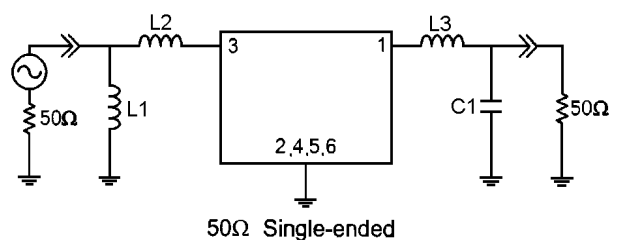
Specification

Parameter	Unit	Min.	Typ.	Max.
Center Frequency	MHz	159.96	160.00	160.04
Insertion Loss	dB	-	33.50	35.50
1dB Bandwidth	MHz	-	25.17	-
3dB Bandwidth	MHz	25.20	25.35	-
Passband Ripple	dB	-	0.82	1.30
Ultimate Attenuation	dB	-	45	-
Group Delay Variation	nsec	-	50	100
Absolute Delay	µsec	-	4.55	-
Relative Attenuation				
$F_c \pm 12.7M \pm 0.4MHz$ Point	dB	30	35	-
$F_c \pm 12.7M \pm 0.6MHz$ Point	dB	40	45	-
Temperature Coefficient	ppm/°C		-20	

Package Dimension



Matching Configuration



L1=18nH, L2=3.9nH, L3=39nH, C1=36pF
 Source / Load Impedance = 50Ω
 Ambient Temperature = 25°C

Rev 0. 120706

