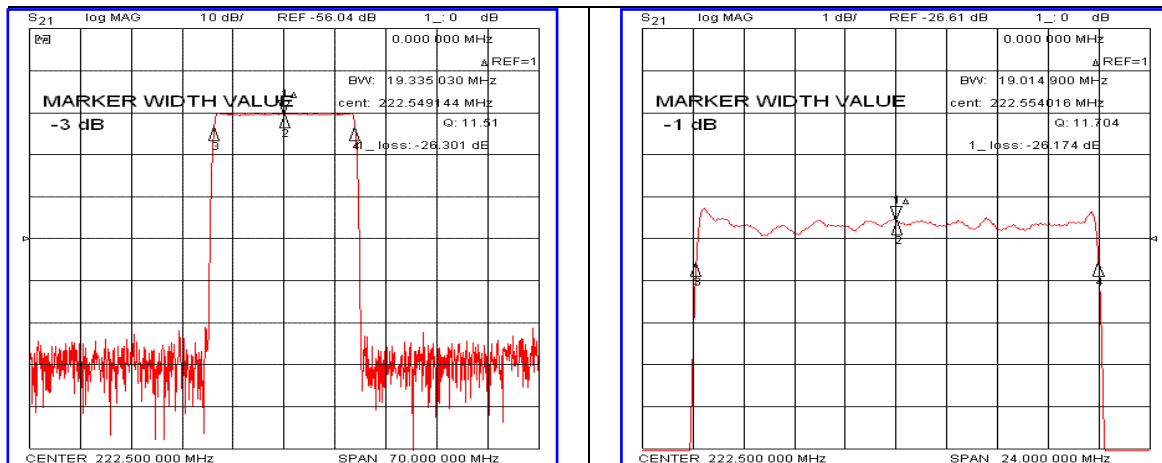


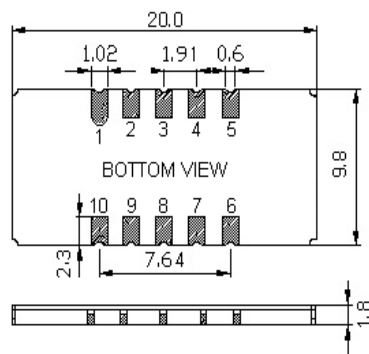
Typical Performance



Specification

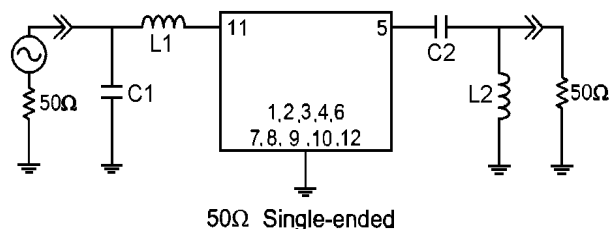
Parameter	Unit	Min.	yp.	Max.
Center Frequency	MHz	-	222.50	-
Insertion Loss	dB	-	26.50	28.50
1dB Bandwidth	MHz	18.90	19.01	-
3dB Bandwidth	MHz	-	19.33	-
40dB Bandwidth	MHz	-	20.75	20.90
Passband Ripple($F_c \pm 9.0\text{MHz}$)	dB	-	0.65	1.40
Group Delay Variation($F_c \pm 9.0\text{MHz}$)	nsec	-	100	200
Absolute Delay	μsec	-	2.30	-
Ultimate Attenuation	dB	-	50	-
Substrate Material	-	112-LiTaO ₃		
Temperature Coefficient	ppm/ $^{\circ}\text{C}$	-20		

Package Dimension



10: Input, 1: In-Gnd
 5: Output, 6: Out-Gnd
 2,3,4,7,8,9: Case Gnd

Matching Configuration



$L1=22\text{nH}$, $L2=15\text{nH}$, $C1=33\text{pF}$, $C2=270\text{pF}$
 Source / Load Impedance = 50 Ω
 Ambient Temperature = 25 $^{\circ}\text{C}$

Rev.0 120329

