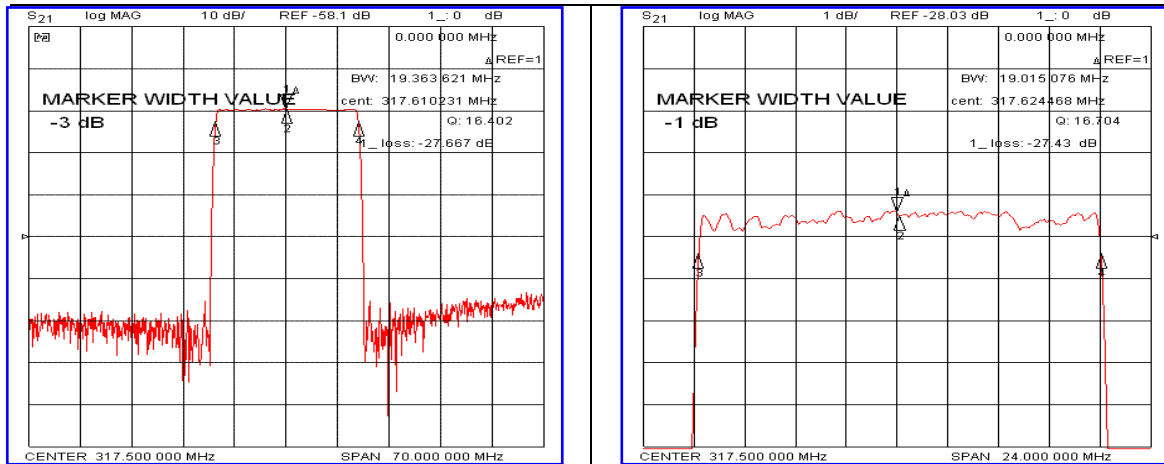


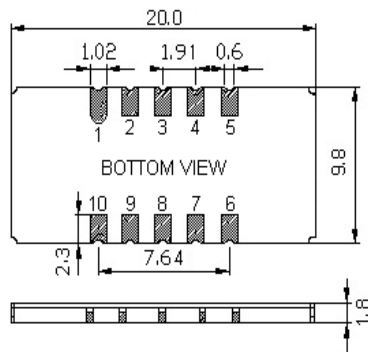
### Typical Performance



### Specification

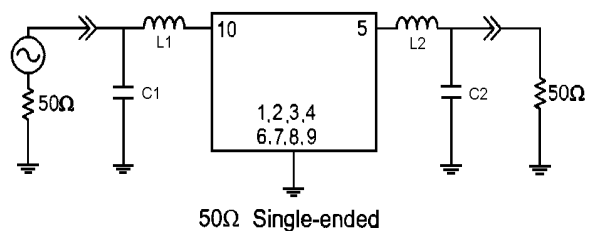
Parameter	Unit	Min.	yp.	Max.
Center Frequency	MHz	-	317.50	-
Insertion Loss	dB	-	27.80	29.50
1dB Bandwidth	MHz	18.90	19.01	-
3dB Bandwidth	MHz	-	19.36	-
40dB Bandwidth	MHz	-	20.80	21.00
Passband Ripple( $F_c \pm 9.0\text{MHz}$ )	dB	-	0.65	1.40
Group Delay Variation( $F_c \pm 9.0\text{MHz}$ )	nsec	-	100	200
Absolute Delay	$\mu\text{sec}$	-	2.30	-
Ultimate Attenuation	dB	-	45	-
Substrate Material	-	112-LiTaO <sub>3</sub>		
Temperature Coefficient	ppm/ $^{\circ}\text{C}$	-20		

### Package Dimension



10: Input, 1: In-Gnd  
 5: Output, 6: Out-Gnd  
 2,3,4,7,8,9: Case Gnd

### Matching Configuration



$L1=8.2\text{nH}$ ,  $L2=8.2\text{nH}$ ,  $C1=22\text{pF}$ ,  $C2=20\text{pF}$   
 Source / Load Impedance = 50Ω  
 Ambient Temperature = 25°C

Rev.0 120329

