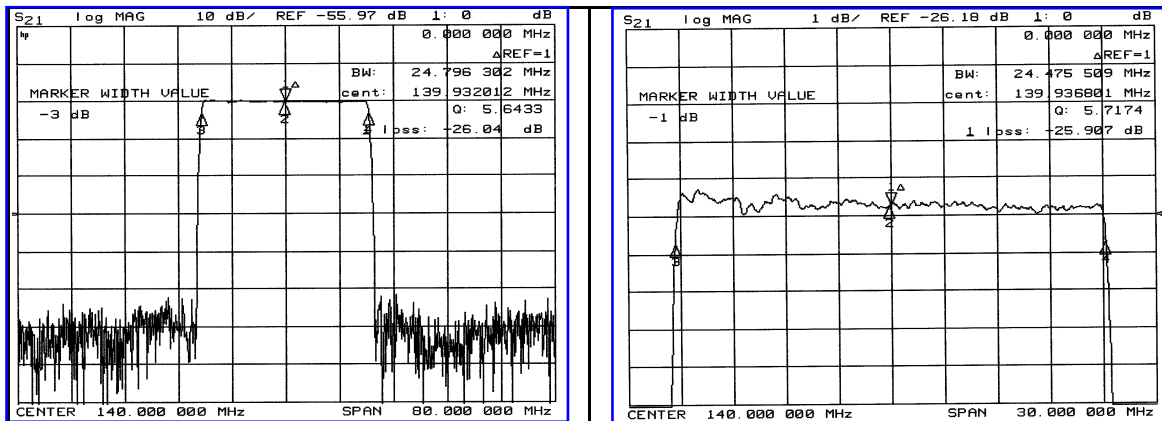


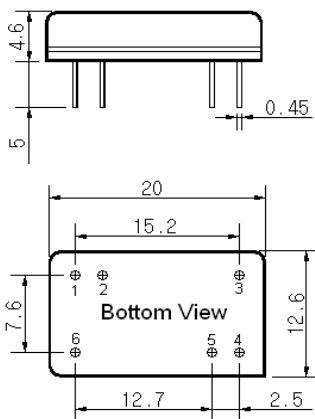
Typical Performance



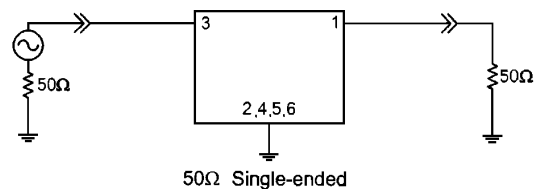
Specification

Parameter	Unit	Min.	Typ.	Max.
Center Frequency (Fc)	MHz	159.80	160.00	160.20
Insertion Loss	dB	-	26.20	27.50
1dB Bandwidth	MHz	-	24.47	-
3dB Bandwidth	MHz	24.60	24.79	-
40dB Bandwidth	MHz	-	26.32	26.50
Passband Ripple	dB	-	0.70	1.00
Group Delay Variation	nsec	-	50	100
Absolute Delay	μsec	-	2.12	-
Ultimate Attenuation	dB	50	55	-
Substrate Material	-	128-LiNbO ₃		
Temperature Coefficient	ppm/°C	-72		

Package Dimension



Matching Configuration



No Matching required
 Source / Load Impedance = 50Ω
 Ambient Temperature = 25°C

Rev0.070329

