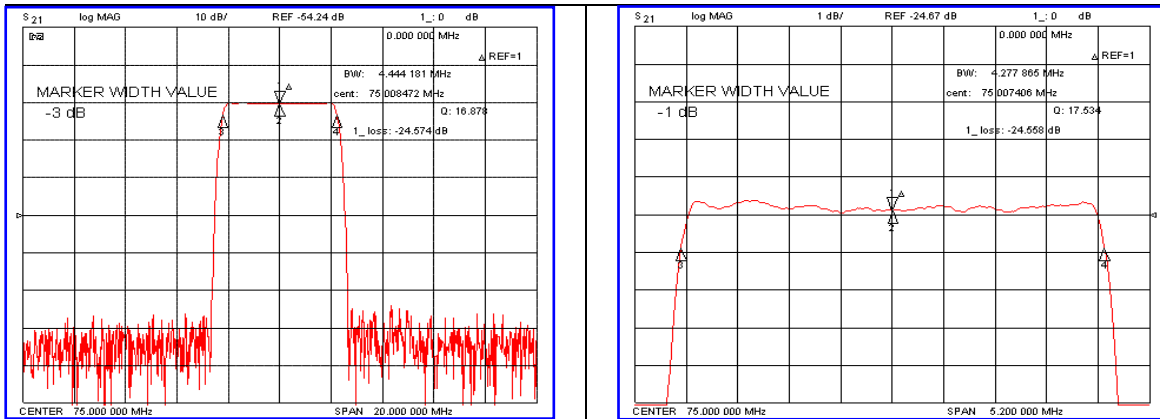


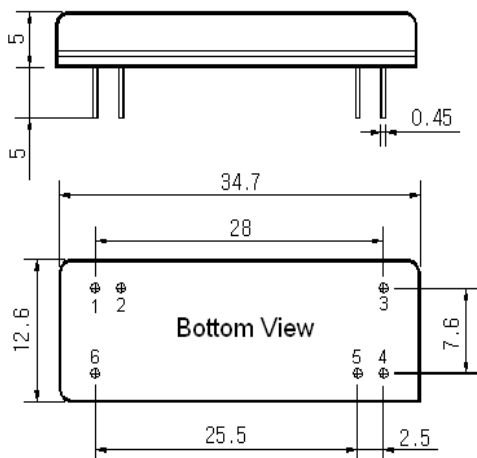
Typical Performance



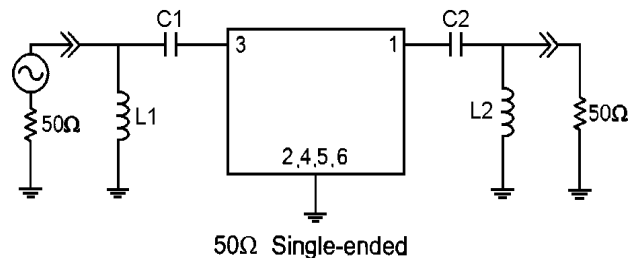
Specification

Parameter	Unit	Min.	Typ.	Max.
Center Frequency	MHz	74.92	75.00	75.08
Insertion Loss	dB	-	25.80	27.00
1dB Bandwidth	MHz	4.10	4.27	-
3dB Bandwidth	MHz	-	4.44	-
40dB Bandwidth	MHz	-	5.20	5.30
Passband Ripple	dB	-	0.50	1.00
Group Delay Variation	nsec	-	70	120
Absolute Delay	usec	-	4.86	-
Ultimate Attenuation	dB	50	55	-
Substrate Material	-	112-LiTaO ₃		
Temperature Coefficient	ppm/°C	-20		

Package Dimension



Matching Configuration



L1=100nH, L2=100nH, C1=C2=300pF
 Source / Load Impedance = 50Ω
 Ambient Temperature = 25°C

Rev.0 100427

