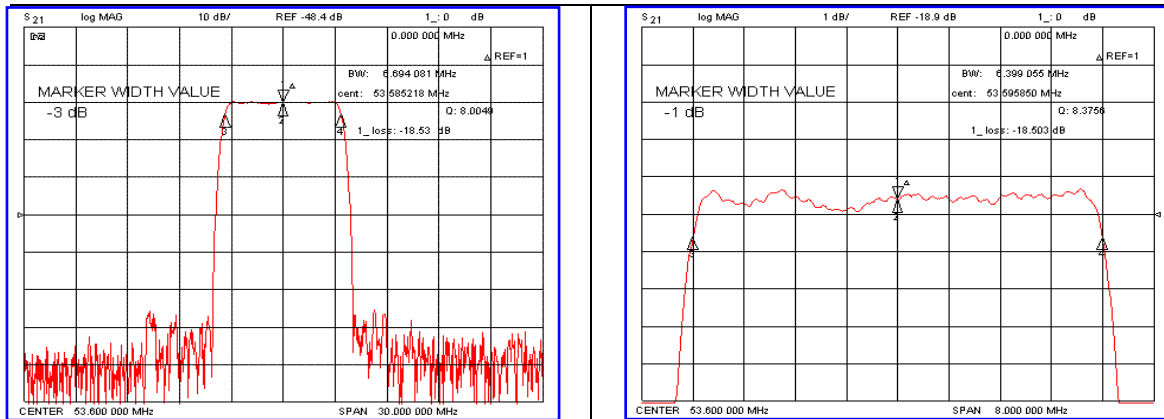


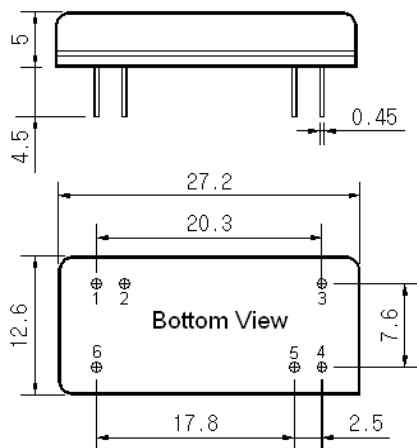
Typical Performance



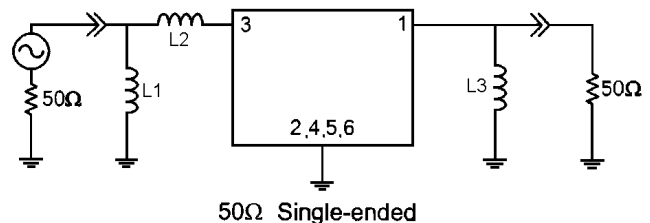
Specification

Parameter	Unit	Min.	Typ.	Max.
Center Frequency	MHz	53.52	53.60	53.68
Insertion Loss	dB	-	18.70	21.00
1dB Bandwidth	MHz	6.20	6.39	-
3dB Bandwidth	MHz	-	6.69	-
40dB Bandwidth	MHz	-	7.95	8.10
Passband Ripple	dB	-	0.60	1.00
Group Delay Variation	nsec	-	90	200
Absolute Delay	μsec	-	2.35	-
Ultimate Attenuation	dB	50	55	-
Substrate Material	-	128-LiNbO ₃		
Temperature Coefficient	ppm/°C	-72		

Package Dimension



Matching Configuration



L1=390nH, L2=39nH, L3=390nH
 Source / Load Impedance = 50Ω
 Ambient Temperature = 25°C

Rev.0 090902

