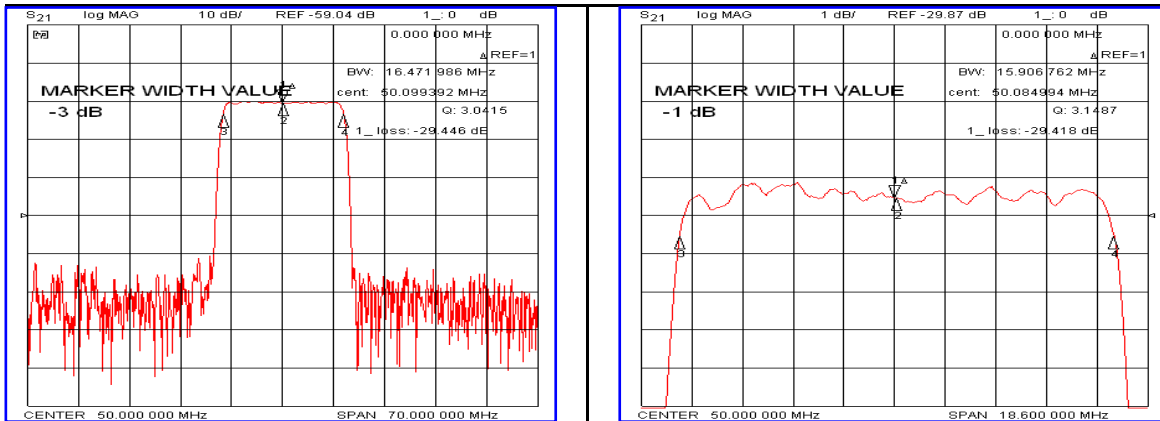


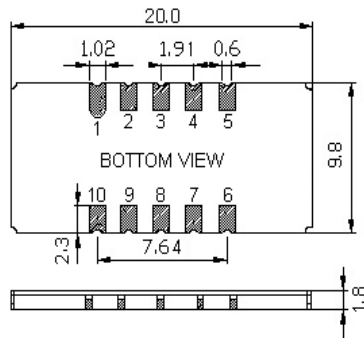
Typical Performance



Specification

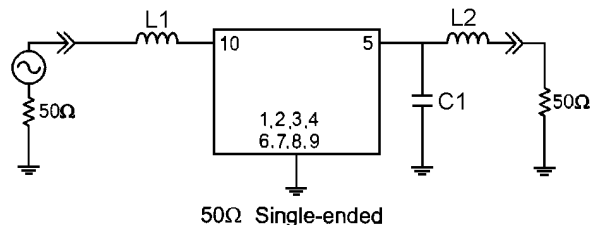
Parameter	Unit	Min.	Typ.	Max.
Center Frequency	MHz	-	50.00	-
Insertion Loss	dB	-	29.50	31.00
1dB Bandwidth	MHz	15.70	15.90	-
3dB Bandwidth	MHz	-	16.47	-
40dB Bandwidth	MHz	-	18.87	19.00
Passband Ripple($F_c \pm 7.5\text{MHz}$)	dB	-	0.75	1.20
Group Delay Variation($F_c \pm 7.5\text{MHz}$)	nsec	-	50	100
Absolute Delay	μsec	-	1.57	-
Ultimate Attenuation	dB	37	40	-
Substrate Material	-	128-LiNbO ₃		
Temperature Coefficient	ppm/ $^{\circ}\text{C}$	-72		

Package Dimension



10: Input, 1: In-Gnd
 5: Output, 6: Out-Gnd
 2,3,4,7,8,9: Case Gnd

Matching Configuration



L type : 권선형 코일
 L1=350nH, L2=350nH, C1=18pF
 Source / Load Impedance = 50Ω
 Ambient Temperature = 25°C

Rev0. 120221

