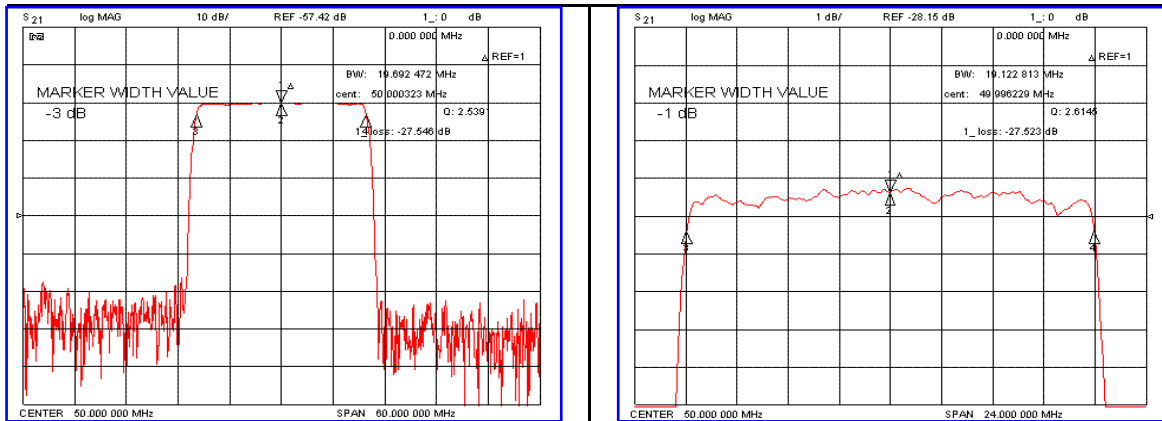


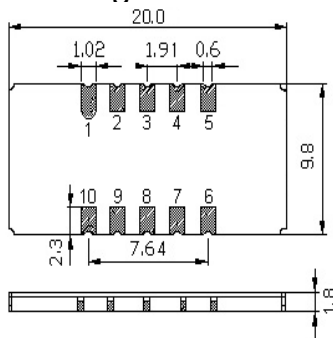
Typical Performance



Specification

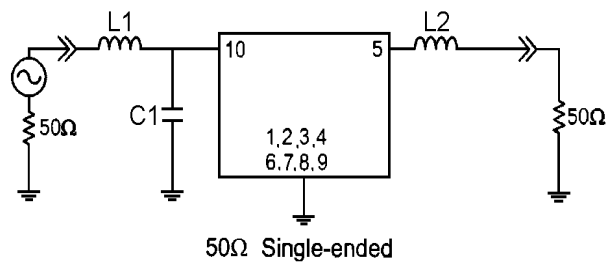
Parameter	Unit	Min.	Typ.	Max.
Center Frequency	MHz	-	50.00	-
Insertion Loss	dB	-	27.60	29.50
1dB Bandwidth	MHz	19.00	19.12	-
3dB Bandwidth	MHz	-	19.69	-
40dB Bandwidth	MHz	-	21.81	22.00
Passband Ripple($F_c \pm 9.32\text{MHz}$)	dB	-	0.67	1.00
Group Delay Variation($F_c \pm 9.32\text{MHz}$)	nsec	-	40	80
Absolute Delay	μsec	-	2.04	-
Ultimate Attenuation	dB	-	47	-
Substrate Material	-	128-LiNbO ₃		
Temperature Coefficient	ppm/ $^{\circ}\text{C}$	-72		

Package Dimension



10: Input, 1: In-Gnd
 5: Output, 6: Out-Gnd
 2,3,4,7,8,9: Case Gnd

Matching Configuration



$L1=390\text{nH}$, $L2=220\text{nH}$, $C1=3.6\text{pF}$
 Source / Load Impedance = 50Ω
 Ambient Temperature = 25°C

Rev0. 091210

