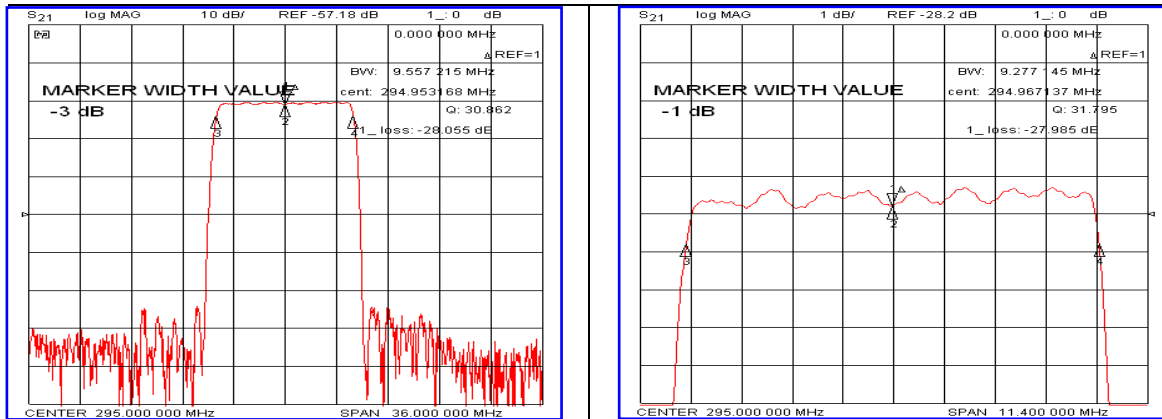


### Typical Performance

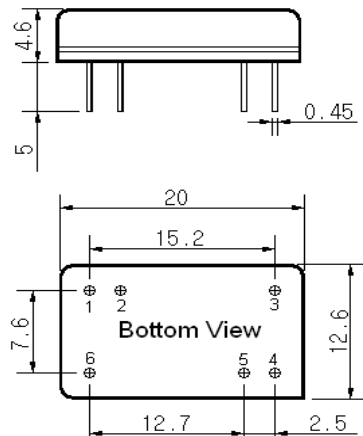


### Specification

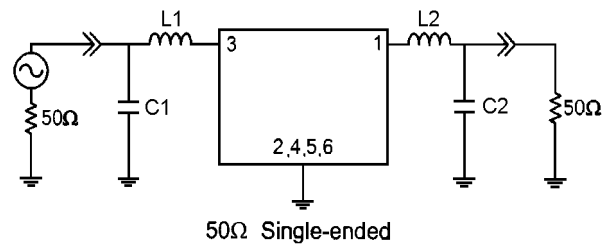
Parameter	Unit	Min.	Typ.	Max.
Center Frequency	MHz	-	295.00	-
Insertion Loss	dB	-	28.00	29.50
1dB Bandwidth	MHz	9.20	9.27	-
3dB Bandwidth	MHz	-	9.55	-
20dB Bandwidth	MHz	-	10.40	-
45dB Bandwidth	MHz	-	10.89	11.00
Passband Ripple(Fc ± 4.5MHz)	dB	-	0.65	1.20
Group Delay Variation(Fc ± 4.5MHz)	nsec	-	80	150
Absolute Delay	µsec	-	2.29	-
Ultimate Attenuation	dB	50	55	-
Substrate Material	-	112-LiTaO <sub>3</sub>		
Temperature Coefficient	ppm/°C	-18		

Input Power : +10dBm

Package Dimension



Matching Configuration



L1=5.6nH, L2=4.7nH, C1=24pF, C2=20pF  
 Source / Load Impedance = 50Ω  
 Ambient Temperature = 25°C

Rev0. 121128

