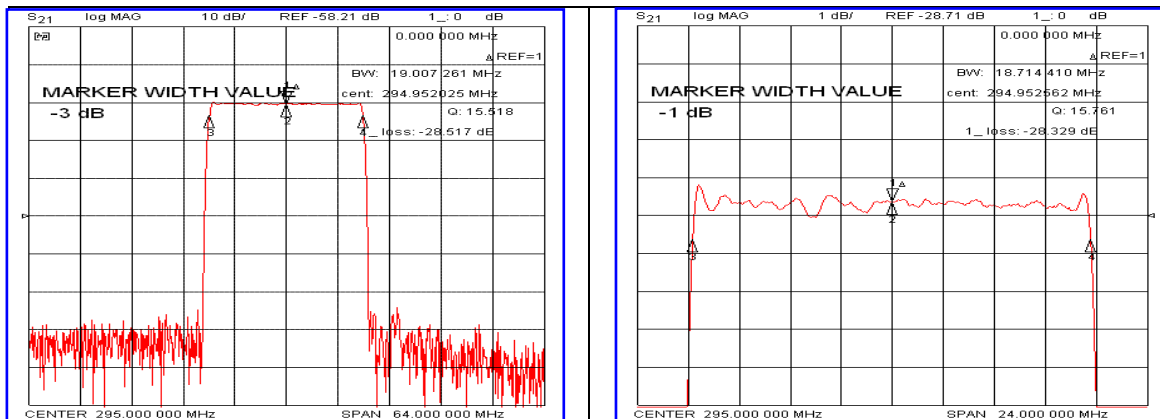


Typical Performance

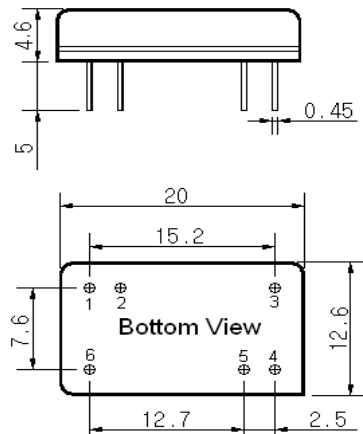


Specification

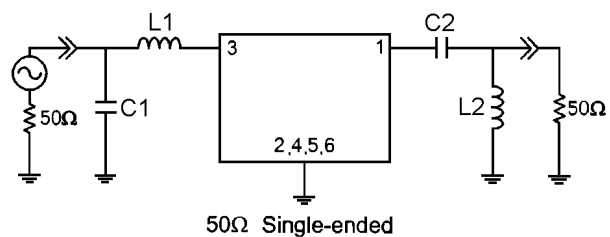
Parameter	Unit	Min.	Typ.	Max.
Center Frequency	MHz	-	295.00	-
Insertion Loss	dB	-	28.60	30.50
1dB Bandwidth	MHz	18.55	18.71	-
3dB Bandwidth	MHz	-	19.00	-
20dB Bandwidth	MHz	-	19.90	-
45dB Bandwidth	MHz	-	20.40	20.50
Passband Ripple(Fc ± 9MHz)	dB	-	0.70	1.20
Group Delay Variation(Fc ± 9MHz)	nsec	-	50	100
Absolute Delay	µsec	-	2.29	-
Ultimate Attenuation	dB	50	55	-
Substrate Material	-	112-LiTaO ₃		
Temperature Coefficient	ppm/°C	-18		

Input Power : +10dBm

Package Dimension



Matching Configuration



L1=8.2nH, L2=8.2nH, C1=36pF, C2=47pF
 Source / Load Impedance = 50Ω
 Ambient Temperature = 25°C

Rev0. 121128

