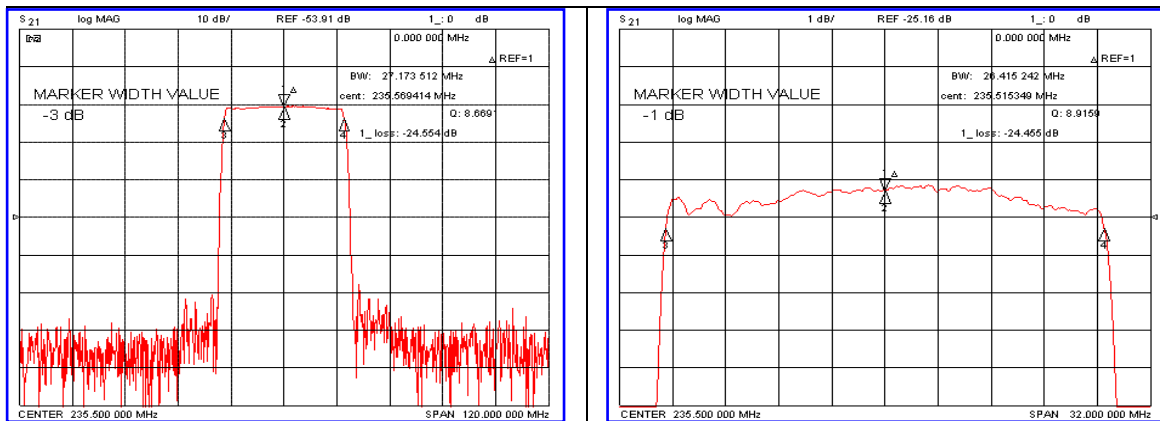


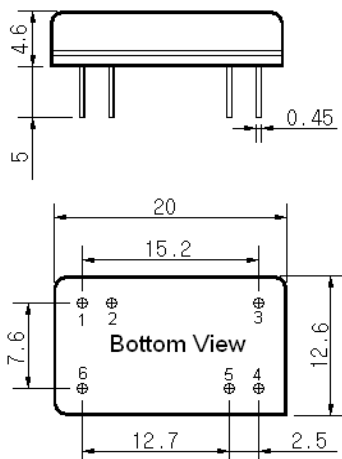
Typical Performance



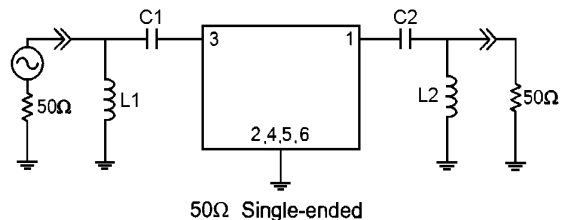
Specification

Parameter	Unit	Min.	Typ.	Max.
Center Frequency	MHz	-	235.5	-
Insertion Loss	dB	-	24.60	26.00
1dB Bandwidth	MHz	-	26.4	-
3dB Bandwidth	MHz	27.00	27.1	-
40dB Bandwidth	MHz	-	30.05	30.20
Passband Ripple	dB	-	0.80	1.00
Group Delay Variation	nsec	-	50	100
Absolute Delay	μsec	-	1.33	-
Ultimate Attenuation	dB	-	45	-
Substrate Material	-	128-LiNbO ₃		
Temperature Coefficient	ppm/°C ²	-72		

Package Dimension



Matching Configuration



L1=27nH, L2=47nH, C1=20pF, C2=33pF
 Source / Load Impedance = 50Ω
 Ambient Temperature = 25°C

Rev0. 070711

