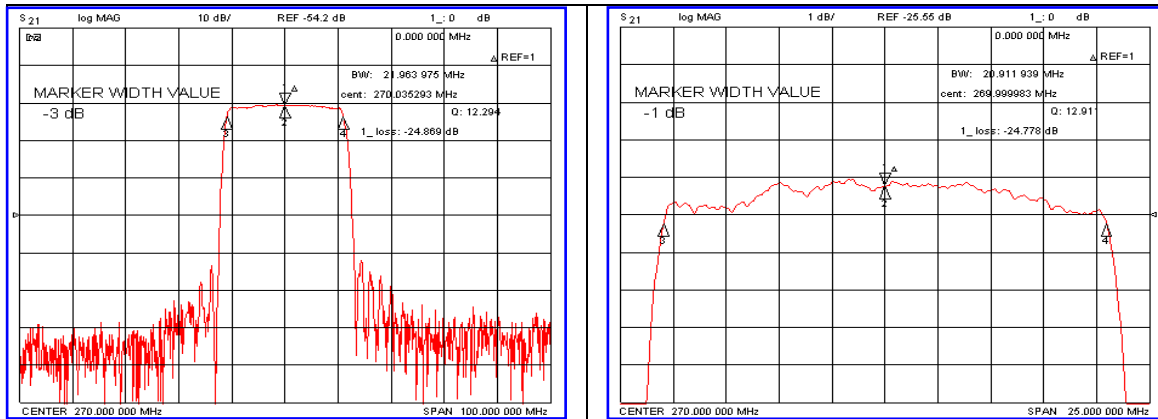


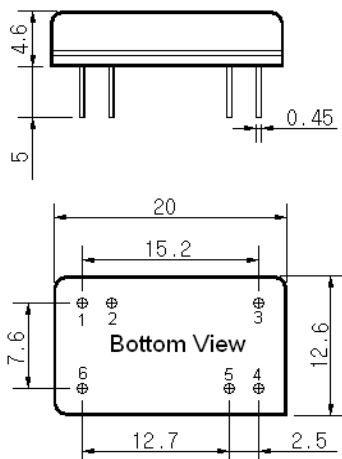
Typical Performance



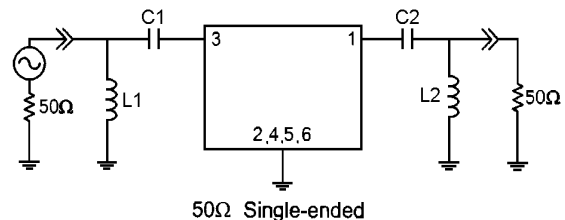
Specification

Parameter	Unit	Min.	Typ.	Max.
Center Frequency	MHz	-	270.00	-
Insertion Loss	dB	-	24.90	26.00
1dB Bandwidth	MHz	-	20.90	-
3dB Bandwidth	MHz	21.80	21.96	-
40dB Bandwidth	MHz	-	25.40	25.60
Passband Ripple	dB	-	0.90	1.20
Group Delay Variation	nsec	-	50	100
Absolute Delay	µsec	-	1.42	-
Ultimate Attenuation	dB	-	43	-
Substrate Material	-	128-LiNbO ₃		
Temperature Coefficient	ppm/°C ²	-72		

Package Dimension



Matching Configuration



L1=22nH, L2=56nH, C1=27pF, C2=33pF
 Source / Load Impedance = 50Ω
 Ambient Temperature = 25°C

Rev0. 070711

