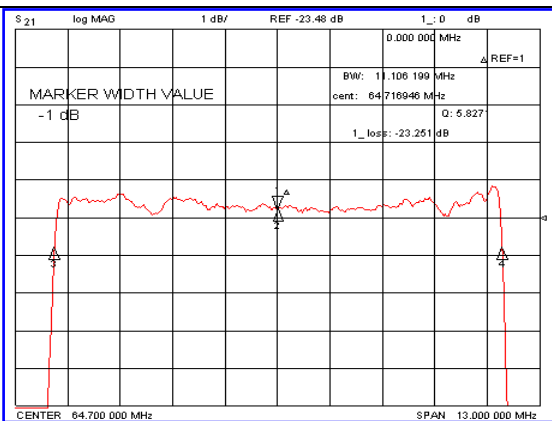
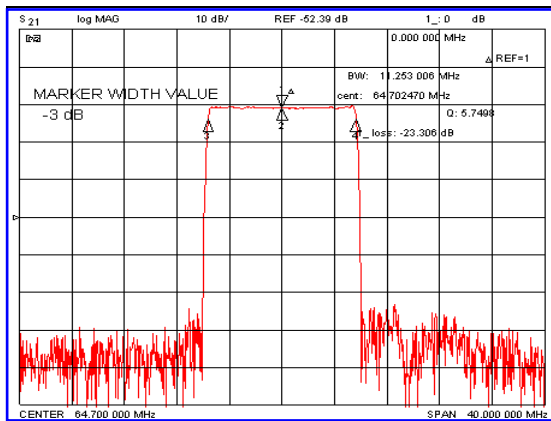


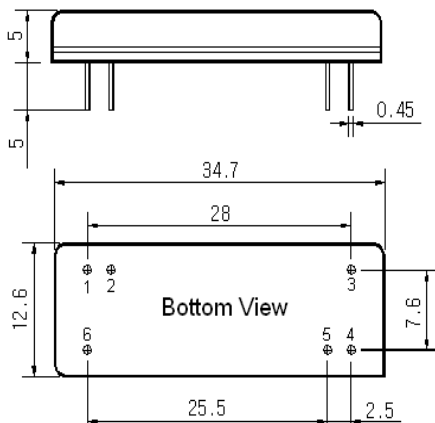
### Typical Performance



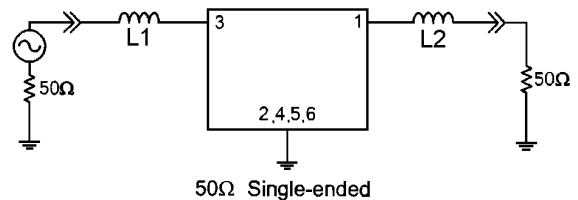
### Specification

Parameter	Unit	Min.	Typ.	Max.
Center Frequency	MHz	64.62	64.70	64.78
Insertion Loss	dB	-	23.30	25.00
1dB Bandwidth	MHz	11.00	11.10	-
3dB Bandwidth	MHz	-	11.25	-
10dB Bandwidth	MHz	-	11.52	-
20dB Bandwidth	MHz	-	11.73	-
35dB Bandwidth	MHz	-	11.91	-
40dB Bandwidth	MHz	-	11.95	12.10
Passband Ripple	dB	-	0.78	1.00
Group Delay Variation	nsec	-	100	200
Absolute Delay	µsec	-	3.88	-
Ultimate Attenuation	dB	48	52	-
Substrate Material	-	128-LiNbO <sub>3</sub>		
Temperature Coefficient	ppm/°C	-72		

### Package Dimension



### Matching Configuration



L1=47nH, L2=47nH  
 Source / Load Impedance = 50Ω  
 Ambient Temperature = 25°C

Rev0. 071018

