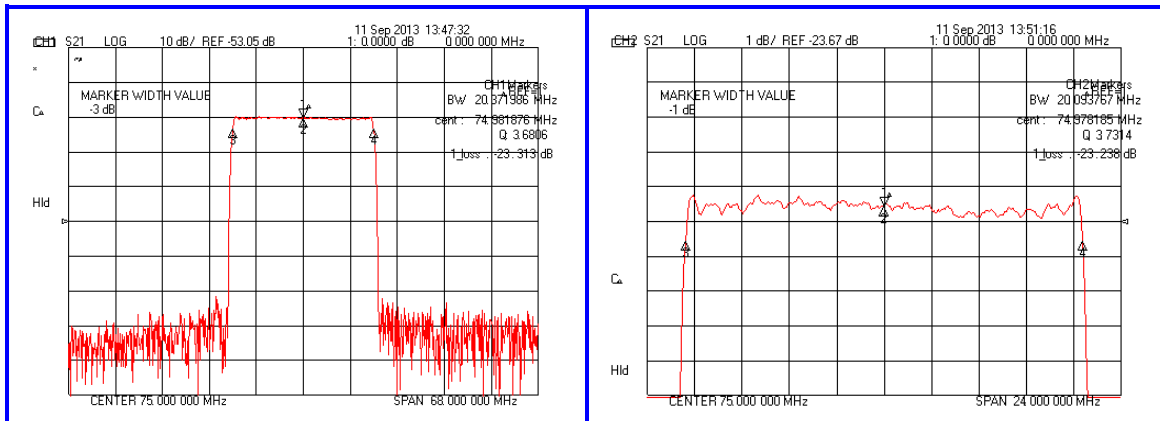


■ Typical Performance



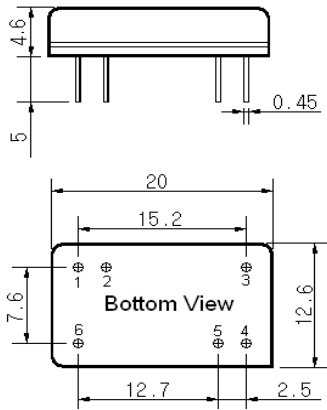
■ Specification #1 (Operating Temperature -30 ~ +85°C)

Parameter	Unit	Min.	Typ.	Max.
Center Frequency	MHz	-	75.0	-
Insertion Loss	dB	-	23.3	24.5
1dB Bandwidth	MHz	20.0	20.09	-
3dB Bandwidth	MHz	-	20.37	-
20dB Bandwidth	MHz	-	21.23	-
40dB Bandwidth	MHz	-	21.64	21.80
Amplitude Ripple (Fo ± 9.5MHz)	dB	-	0.65	1.0
Group Delay Variation (Fc ± 9.5MHz)	nsec	-	55	80
Absolute Delay	µsec	-	2.25	-
Ultimate Attenuation	dB	50	55	-
Substrate Material & T.C.F	ppm/°C	128LN & -72		
Temperature Coefficient	mm	20 X 12 (DIP)		

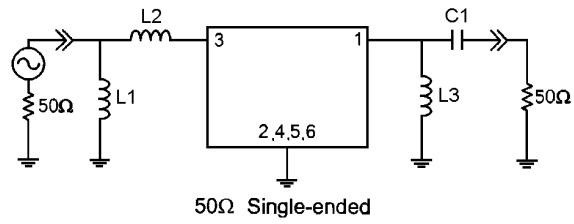
■ Specification #2 (at 25°C)

Parameter	Unit	Min.	Typ.	Max.
Insertion Loss	dB	-	23.3	24.5
Amplitude Ripple (Fo ± 9.8MHz)	dB	-	0.65	1.0
Group Delay Variation (Fc ± 9.8MHz)	nsec	-	55	80

■ Package Dimension



■ Matching Configuration



L1=150nH, L2=100nH, L3=100nH, C1=51pF
 Source / Load Impedance = 50Ω
 Ambient Temperature = 25°C

Rev0. 130911

■ Typical Performance (at 25°C)

