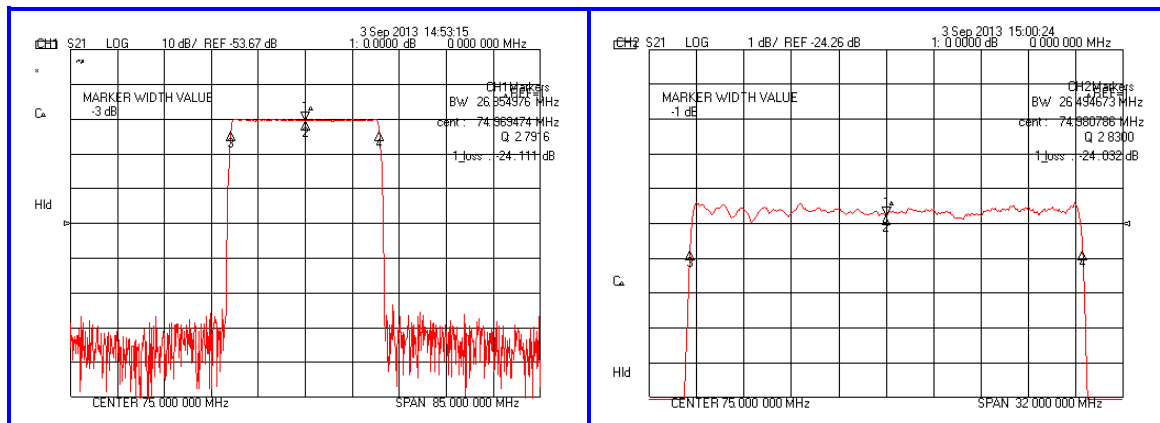


Typical Performance



Specification #1 (Operating Temperature -10 ~ +80°C)

Parameter	Unit	Min.	Typ.	Max.
Center Frequency	MHz	-	75.0	-
Insertion Loss	dB	-	24.0	25.5
1dB Bandwidth	MHz	26.2	26.49	-
3dB Bandwidth	MHz	-	26.85	-
40dB Bandwidth	MHz	-	28.44	28.8
Amplitude Ripple #1 (Fo ± 12.5MHz)	dB	-	0.6	1.2
Group Delay Variation (Fc ± 12.5MHz)	nsec	-	30	60
Absolute Delay	µsec	-	1.95	-
Ultimate Attenuation	dB	47	53	-
Substrate Material & T.C.F	ppm/°C	128LN & -72		
Temperature Coefficient	mm	20 X 12 (DIP)		

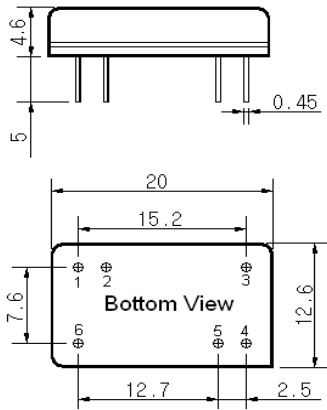
Input power : +10dBm

Specification #2 (at 25°C)

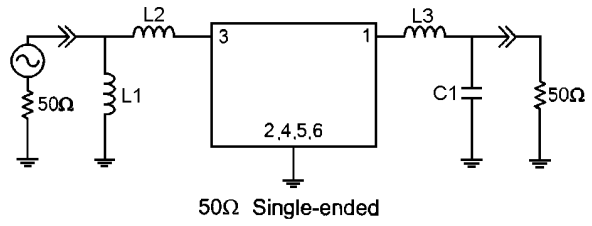
Parameter	Unit	Min.	Typ.	Max.
Insertion Loss	dB	-	24.0	25.5
Amplitude Ripple #2 (Fo ± 12.8MHz)	dB	-	0.6	1.2
Group Delay Variation (Fc ± 12.8MHz)	nsec	-	30	60
Relative Attenuation (Fo ± 12.5MHz) ± 2MHz	dBc	40	53	-

Input power : +10dBm

■ Package Dimension



■ Matching Configuration



L1=180nH, L2=120nH, L3=180nH, C1=13pF
 Source / Load Impedance = 50Ω
 Ambient Temperature = 25°C

Rev0. 130903

■ Typical Performance (at 25°C)

