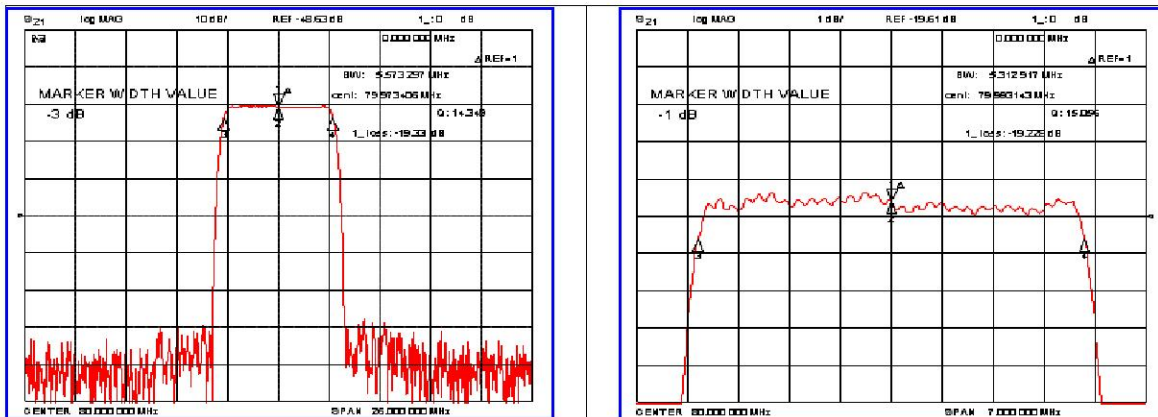


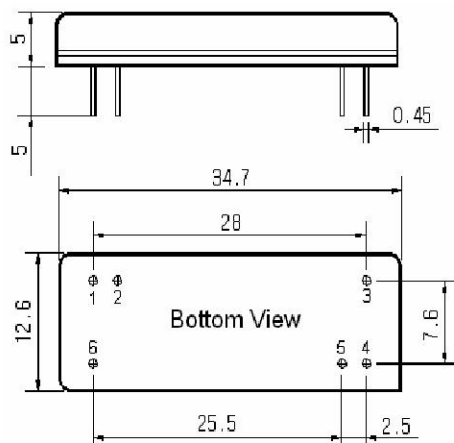
Typical Performance



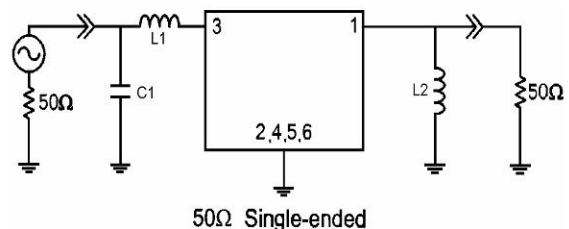
Specification

Parameter	Unit	Min.	Typ.	Max.
Center Frequency	MHz	79.92	80.00	80.08
Insertion Loss	dB	-	19.30	21.00
1dB Bandwidth	MHz	5.20	5.31	-
3dB Bandwidth	MHz	-	5.57	-
50dB Bandwidth	MHz	-	6.68	7.00
Passband Ripple	dB	-	0.60	1.00
Group Delay Variation	nsec	-	150	200
Absolute Delay	μsec	-	2.82	-
Ultimate Attenuation	dB	50	57	-
Substrate Material	-	YZ-LiNbO ₃		
Temperature Coefficient	ppm/°C	-86		

Package Dimension



Matching Configuration



L1=18nH, L2=270nH, C1=22pF
 Source / Load Impedance = 50Ω
 Ambient Temperature = 25°C

Rev.0 080429

