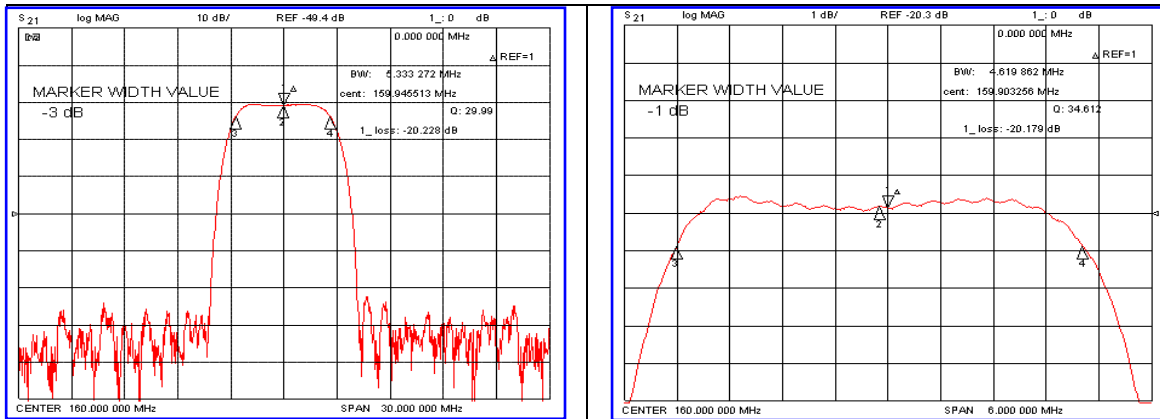


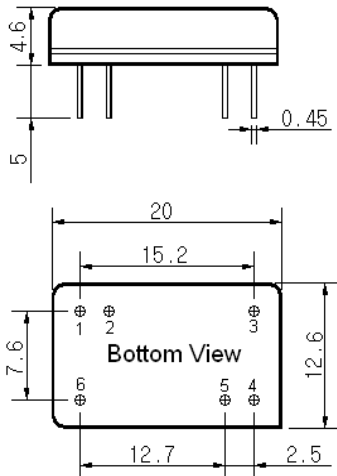
### Typical Performance



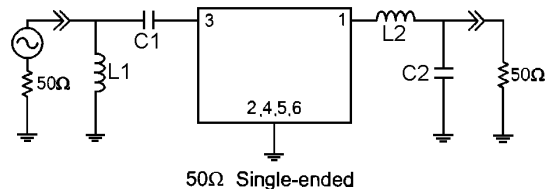
### Specification

Parameter	Unit	Min.	Typ.	Max.
Center Frequency	MHz	159.80	160.00	160.20
Insertion Loss	dB	-	20.30	23.00
1dB Bandwidth	MHz	-	4.61	-
3dB Bandwidth	MHz	5.20	5.33	-
40dB Bandwidth	MHz	-	8.04	8.20
Passband Ripple	dB	-	0.60	1.00
Group Delay Variation	nsec	-	200	300
Absolute Delay	μsec	-	1.61	-
Ultimate Attenuation	dB	50	53	-
Substrate Material	-	112-LiTaO <sub>3</sub>		
Temperature Coefficient	ppm/°C	-20		

### Package Dimension



### Matching Configuration



L1=33nH, L2=22nH, C1=150pF, C2=22pF  
 Source / Load Impedance = 50Ω  
 Ambient Temperature = 25°C

Rev0. 070531

