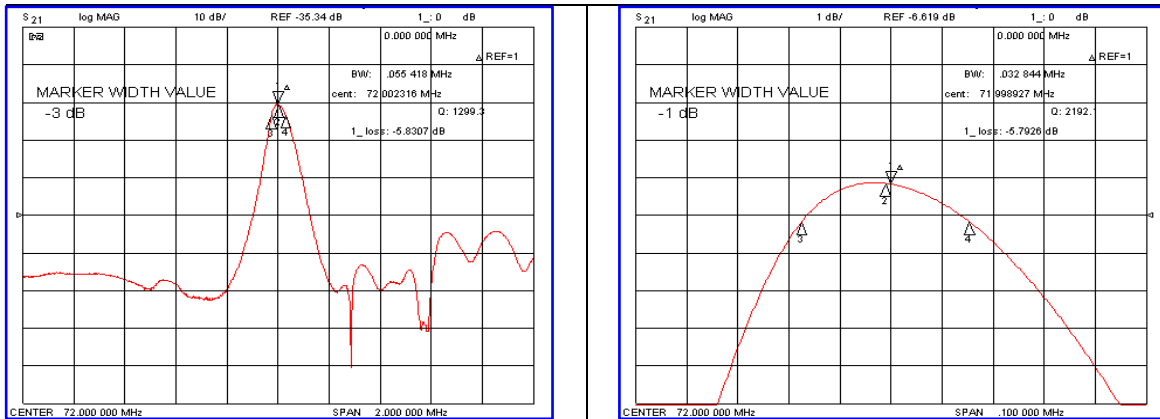


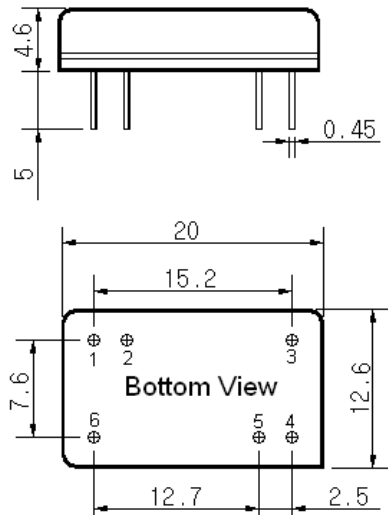
Typical Performance



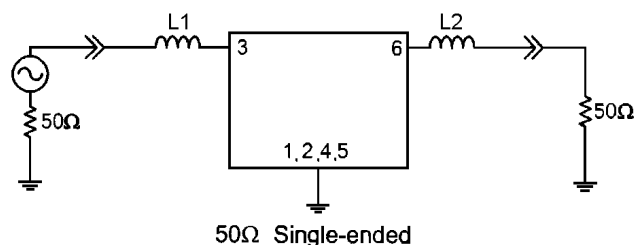
Specification

Parameter	Unit	Min.	Typ.	Max.
Center Frequency	MHz	-	72.00	-
Insertion Loss	dB	-	5.83	7.50
1dB Bandwidth	MHz	-	0.03	-
3dB Bandwidth	MHz	0.03	0.05	-
40dB Bandwidth	MHz	-	0.30	0.50
Group Delay Variation	nsec	-	1.64	-
Absolute Delay	µsec	-	10	-
Ultimate Attenuation	dB	-	35	-
Substrate Material	-	Quartz		
Temperature Coefficient	ppm/°C	-0.03		

Package Dimension



Matching Configuration



L1=0.82µH, L2=0.82µH
 Source / Load Impedance = 50Ω
 Ambient Temperature = 25°C

Rev0. 090819

