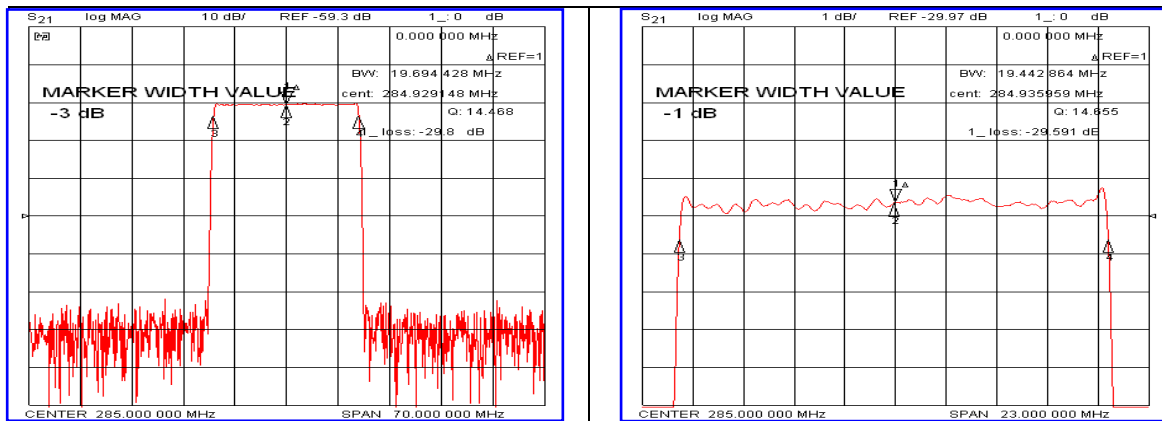


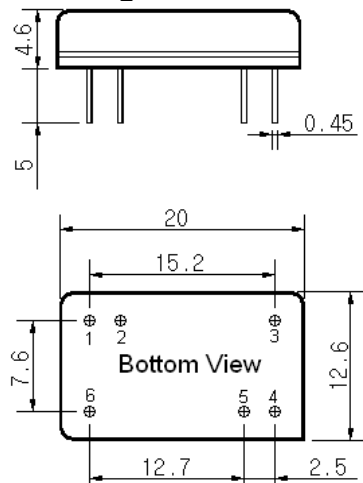
### Typical Performance



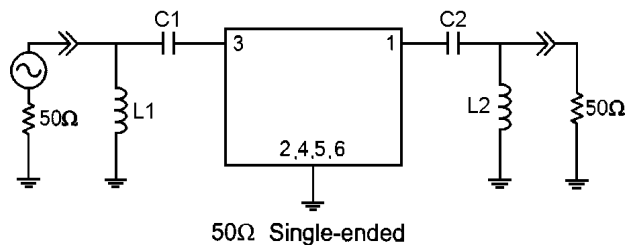
### Specification

Parameter	Unit	Min.	Typ.	Max.
Center Frequency	MHz	-	285.00	-
Insertion Loss	dB	-	29.80	32.00
1dB Bandwidth	MHz	19.20	19.42	-
40dB Bandwidth	MHz	-	20.85	20.95
50dB Bandwidth	MHz	-	20.96	-
Passband Ripple	dB	-	0.70	1.20
Group Delay Variation	nsec	-	50	100
Absolute Delay	µsec	-	2.77	-
Ultimate Attenuation	dB	-	50	-
Substrate Material	-	112-LiTaO <sub>3</sub>		
Temperature Coefficient	ppm/°C	-20		

### Package Dimension



### Matching Configuration



L1=10nH, L2=12nH, C1=30pF, C2=24pF  
 Source / Load Impedance = 50Ω  
 Ambient Temperature = 25°C

Rev0. 110801

