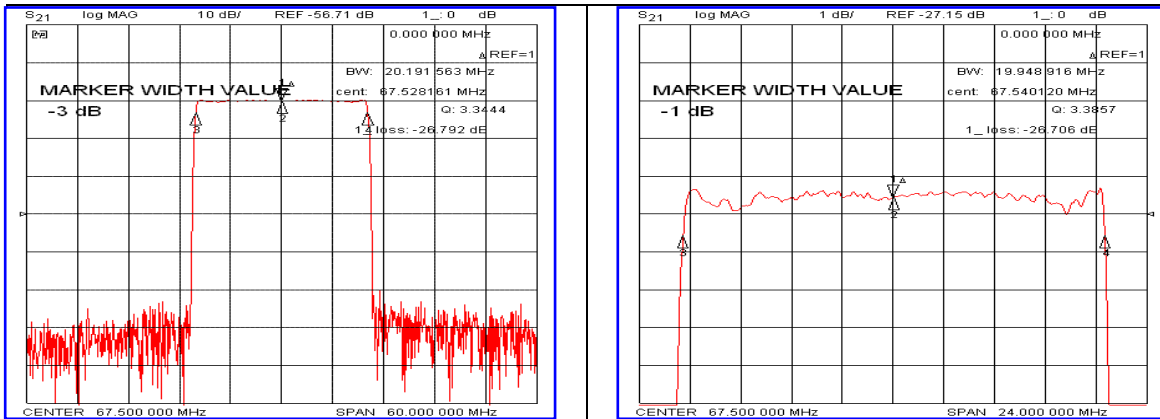


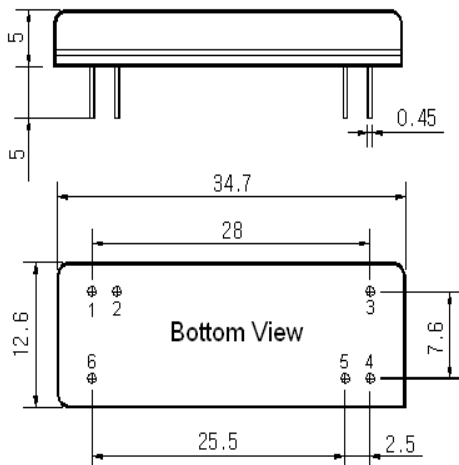
### Typical Performance



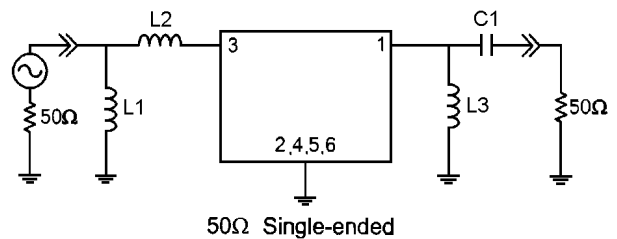
### Specification

Parameter	Unit	Min.	Typ.	Max.
Center Frequency	MHz	-	67.50	-
Insertion Loss	dB	-	26.80	28.50
1dB Bandwidth	MHz	19.80	19.94	-
25dB Bandwidth	MHz	-	21.00	-
40dB Bandwidth	MHz	-	21.20	21.30
Passband Ripple( $F_c \pm 9.50\text{MHz}$ )	dB	-	0.67	1.00
Group Delay Variation( $F_c \pm 9.50\text{MHz}$ )	dB	-	50	100
Absolute Delay	$\mu\text{sec}$	-	3.00	-
Ultimate Attenuation	dB	45	50	-
Substrate Material	-	128-LiNbO <sub>3</sub>		
Temperature Coefficient	ppm/ $^{\circ}\text{C}$	-72		

### Package Dimension



### Matching Configuration



L1=180nH, L2=100nH, L3=100nH, C1=56pF  
 Source / Load Impedance = 50Ω  
 Ambient Temperature = 25°C

Rev0. 120510

