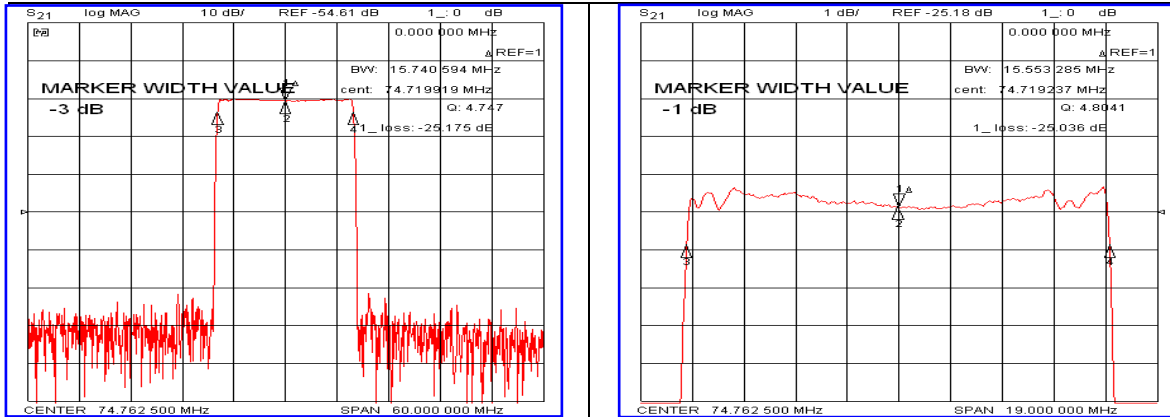


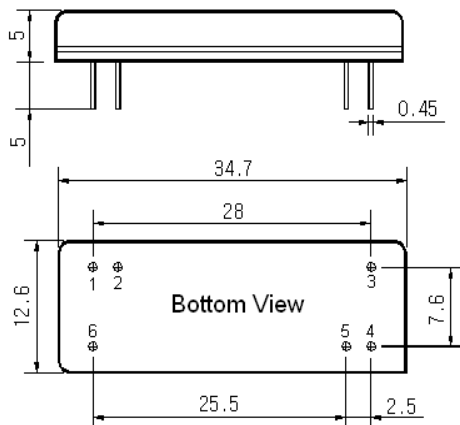
Typical Performance



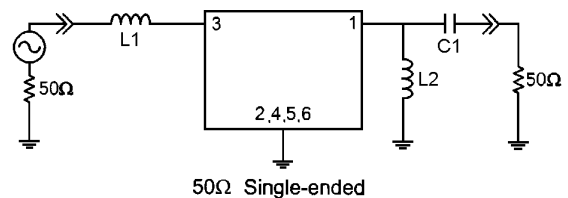
Specification

Parameter	Unit	Min.	Typ.	Max.
Center Frequency	MHz	-	74.7625	-
Insertion Loss	dB	-	23.50	25.00
1dB Bandwidth	MHz	15.40	15.55	-
3dB Bandwidth	MHz	-	15.74	-
40dB Bandwidth	MHz	-	16.60	16.70
Passband Ripple( $F_c \pm 7.2375$ MHz)	dB	-	0.65	1.00
Relative Attenuation $F_c + 7.2375$ MHz + 1.0MHz Point	dB	-	27	-
Absolute Delay	$\mu$ sec	-	3.00	-
Ultimate Attenuation	dB	47	52	-
Substrate Material	-	128-LiNbO <sub>3</sub>		
Temperature Coefficient	ppm/ $^{\circ}$ C	-72		

Package Dimension



Matching Configuration



L1=56nH, L2=150nH, C1=51pF  
Source / Load Impedance = 50 $\Omega$   
Ambient Temperature = 25 $^{\circ}$ C

Rev0. 120509

