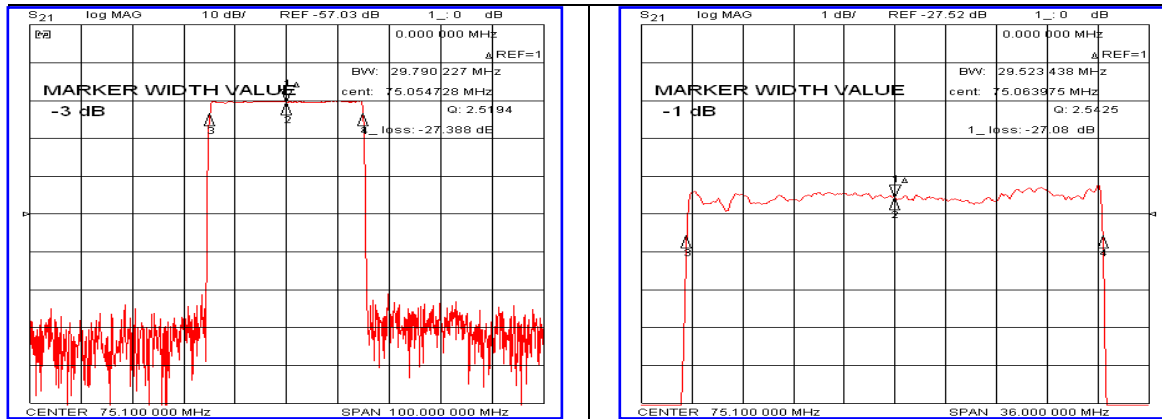


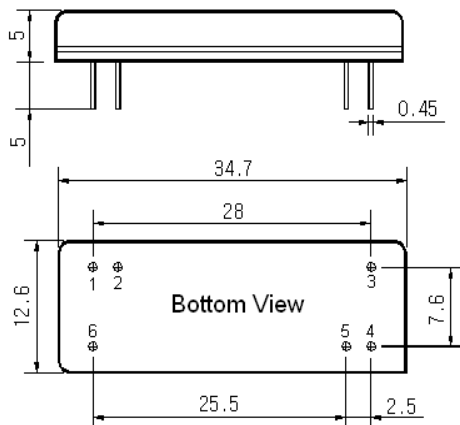
Typical Performance



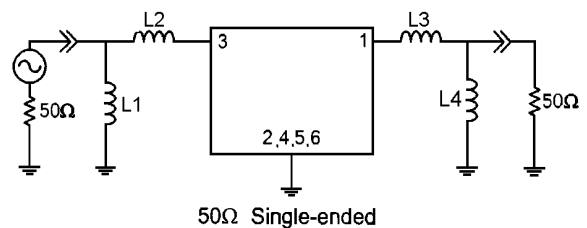
Specification

Parameter	Unit	Min.	Typ.	Max.
Center Frequency	MHz	-	75.10	-
Insertion Loss	dB	-	27.50	29.50
1dB Bandwidth	MHz	29.30	29.52	-
3dB Bandwidth	MHz	-	29.79	-
40dB Bandwidth	MHz	-	31.00	31.20
Passband Ripple($F_c \pm 14.22\text{MHz}$)	dB	-	0.65	1.00
Relative Attenuation $F_c + 14.22\text{MHz} + 1.56\text{MHz}$ Point	dB	-	50	-
Absolute Delay	μsec	-	2.80	-
Ultimate Attenuation	dB	47	51	-
Substrate Material	-	128-LiNbO ₃		
Temperature Coefficient	ppm/ $^{\circ}\text{C}$	-72		

Package Dimension



Matching Configuration



L1=150nH, L2=56nH, L3=100nH, L4=220nH
 Source / Load Impedance = 50Ω
 Ambient Temperature = 25°C

Rev0. 120509

