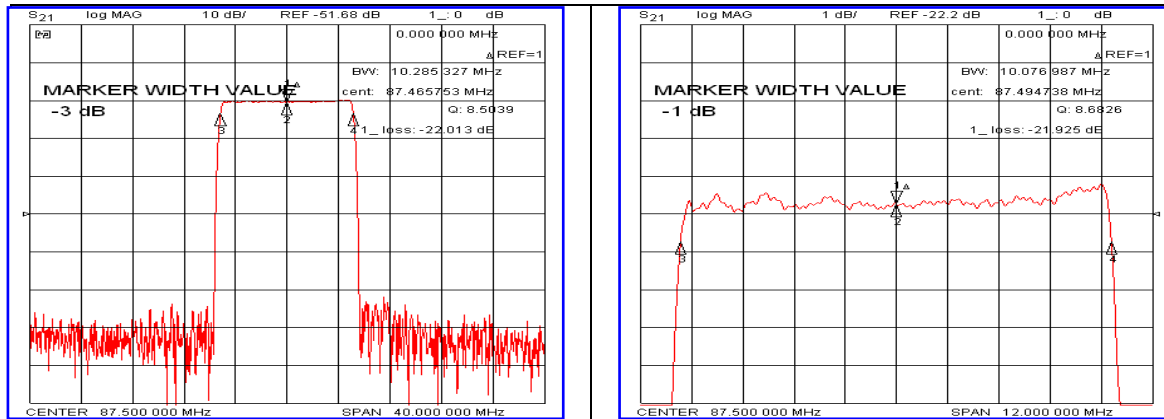


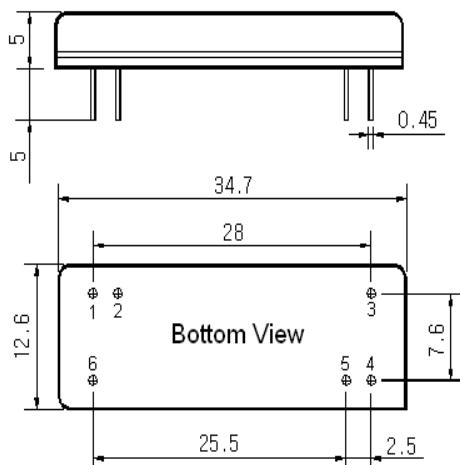
### Typical Performance



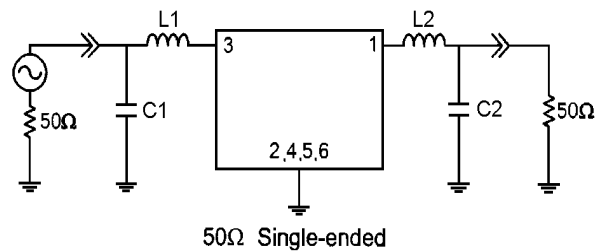
### Specification

Parameter	Unit	Min.	Typ.	Max.
Center Frequency	MHz	-	87.50	-
Insertion Loss	dB	-	22.00	24.00
1dB Bandwidth	MHz	9.90	10.07	-
25dB Bandwidth	MHz	-	11.00	-
40dB Bandwidth	MHz	-	11.20	11.30
Passband Ripple( $F_c \pm 4.50$ MHz)	dB	-	0.67	1.00
Group Delay Variation( $F_c \pm 4.50$ MHz)	dB	-	100	200
Absolute Delay	$\mu$ sec	-	3.00	-
Ultimate Attenuation	dB	45	50	-
Substrate Material	-	128-LiNbO <sub>3</sub>		
Temperature Coefficient	ppm/ $^{\circ}$ C	-72		

### Package Dimension



### Matching Configuration



L1=18nH, L2=27nH, C1=15pF, C2=11pF  
 Source / Load Impedance = 50 $\Omega$   
 Ambient Temperature = 25 $^{\circ}$ C

Rev0. 120510

