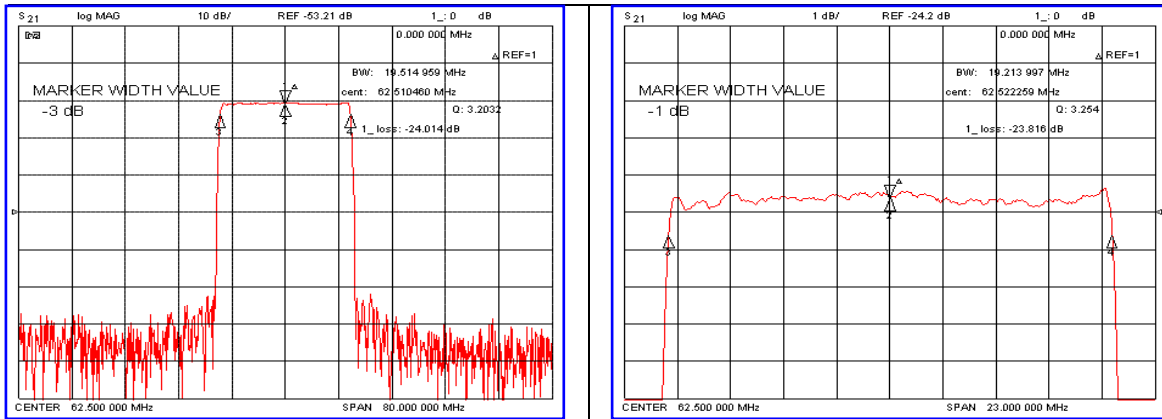


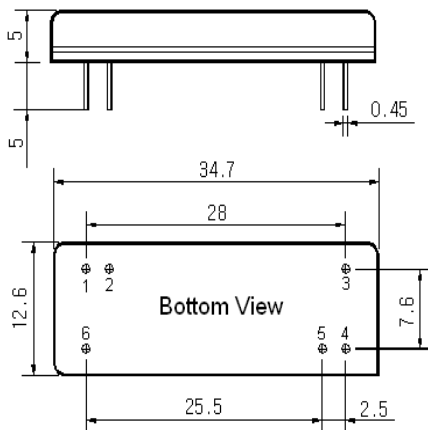
Typical Performance



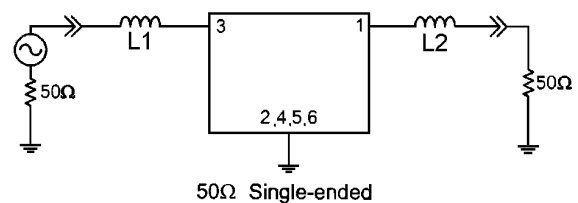
Specification

Parameter	Unit	Min.	Typ.	Max.
Center Frequency	MHz	62.40	62.50	62.60
Insertion Loss	dB	-	24.50	26.00
1dB Bandwidth	MHz	-	19.21	-
3dB Bandwidth	MHz	19.40	19.51	-
30dB Bandwidth	MHz	-	20.62	-
40dB Bandwidth	MHz	-	20.78	21.00
Passband Ripple	dB	-	0.55	1.00
Group Delay Variation	nsec	-	35	60
Absolute Delay	μsec	-	2.49	-
Ultimate Attenuation	dB	50	55	-
Substrate Material	-	128-LiNbO ₃		
Temperature Coefficient	ppm/°C ²	-72		

Package Dimension



Matching Configuration



L1=150nH, L2=270nH
 Source / Load Impedance = 50Ω
 Ambient Temperature = 25°C

Rev0. 070321

