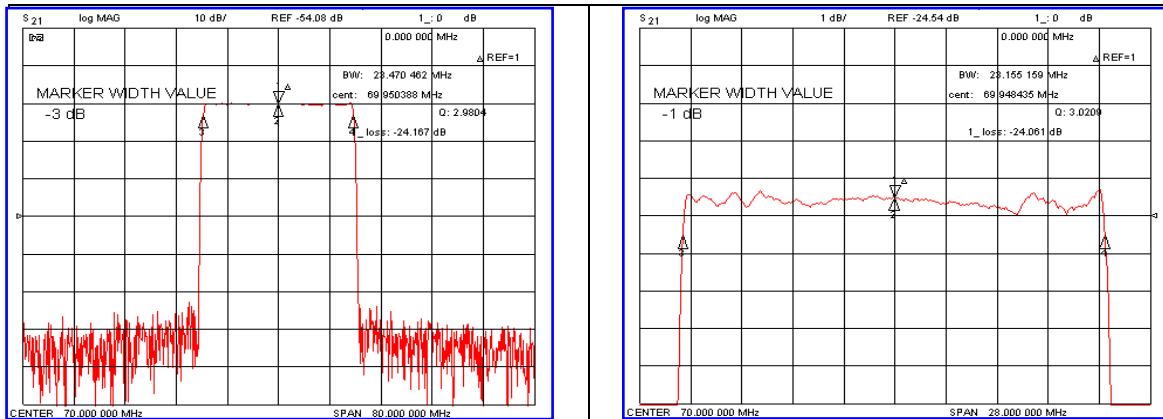


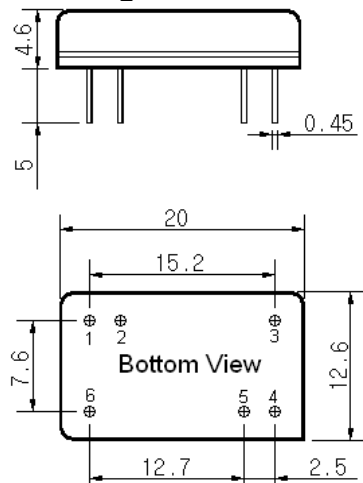
### Typical Performance



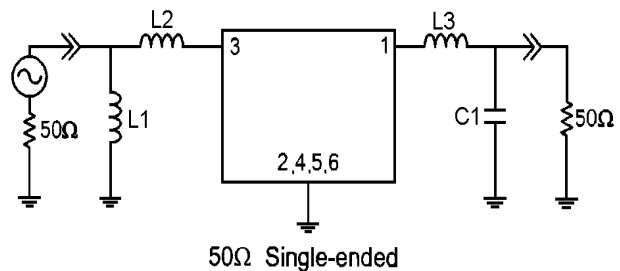
### Specification

Parameter	Unit	Min.	Typ.	Max.
Center Frequency	MHz	69.92	70.00	70.08
Insertion Loss	dB	-	24.50	26.00
1dB Bandwidth	MHz	23.00	23.15	-
3dB Bandwidth	MHz	-	23.47	-
40dB Bandwidth	MHz	-	24.80	25.00
Passband Ripple	dB	-	0.75	1.00
Group Delay Variation	nsec	-	35	60
Absolute Delay	μsec	-	2.25	-
Ultimate Attenuation	dB	50	53	-
Substrate Material	-	128 - LiNbO <sub>3</sub>		
Temperature Coefficient	ppm/°C	-72		

### Package Dimension



### Matching Configuration



L1=390nH, L2=120nH, L3=220nH, C1=24pF  
 Source / Load Impedance = 50Ω  
 Ambient Temperature = 25°C

Rev0. 090929

