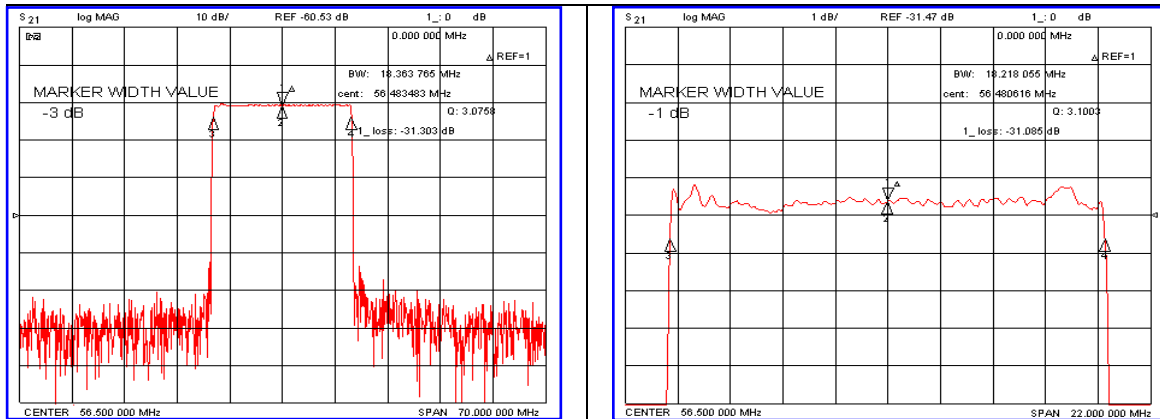


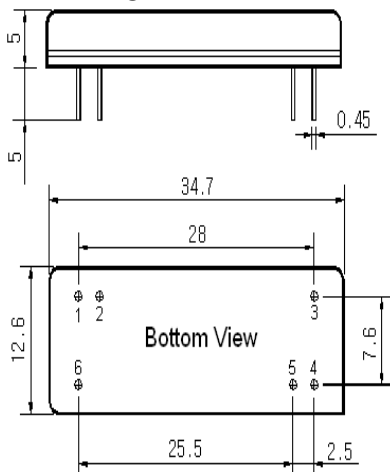
Typical Performance



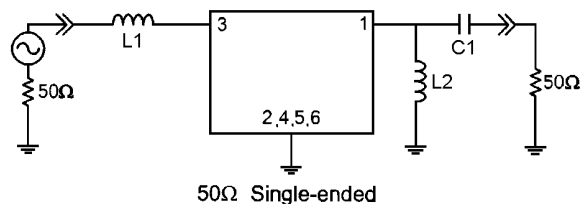
Specification

Parameter	Unit	Min.	Typ.	Max.
Center Frequency	MHz	56.42	56.50	56.58
Insertion Loss	dB	-	31.30	33.00
1dB Bandwidth	MHz	18.00	18.21	-
3dB Bandwidth	MHz	-	18.36	-
35dB Bandwidth	MHz	-	18.92	19.00
Passband Ripple	dB	-	0.80	1.00
Group Delay Variation	nsec	-	100	200
Absolute Delay	μsec	-	4.11	-
Ultimate Attenuation	dB	38	42	-
Substrate Material	-	128-LiNbO ₃		
Temperature Coefficient	ppm/°C	-72		

Package Dimension



Matching Configuration



L1=120nH, L2=180nH, C1=100pF
 Source / Load Impedance = 50Ω
 Ambient Temperature = 25°C

Rev0. 071101

