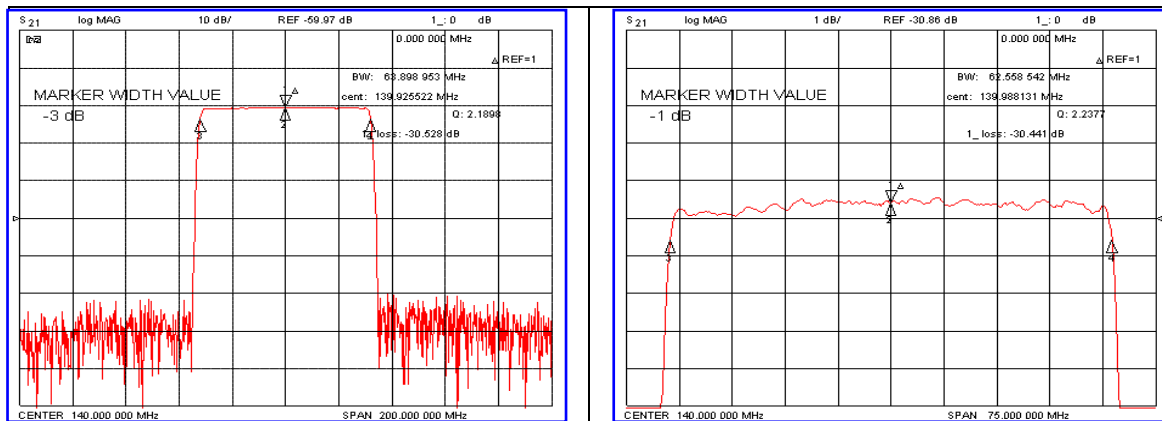


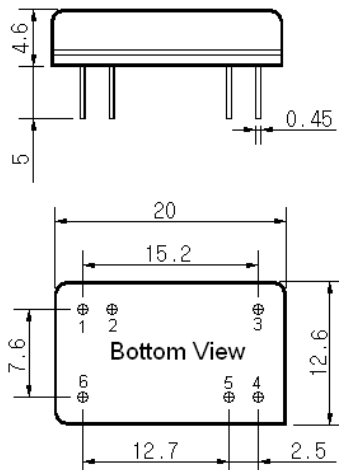
Typical Performance



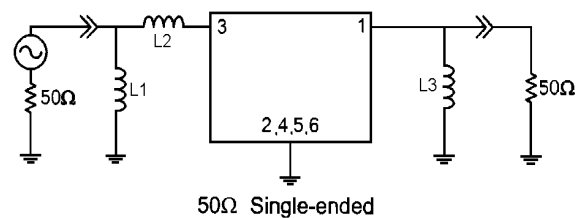
Specification

Parameter	Unit	Min.	Typ.	Max.
Center Frequency	MHz	-	140.00	-
Insertion Loss	dB	-	30.50	32.00
1dB Bandwidth	MHz	-	62.55	-
3dB Bandwidth	MHz	63.50	63.89	-
40dB Bandwidth	MHz	-	68.80	69.00
Passband Ripple(Fc±30MHz)	dB	-	0.55	1.00
Group Delay Variation(Fc±30MHz)	nsec	-	20	50
Absolute Delay	µsec	-	0.91	-
Ultimate Attenuation	dB	-	50	-
Substrate Material	-	128-LiNbO ₃		
Temperature Coefficient	ppm/°C	-72		

Package Dimension



Matching Configuration



L1=150nH, L2=56nH, L3=180nH
 Source / Load Impedance = 50Ω
 Ambient Temperature = 25°C

Rev0. 070704

