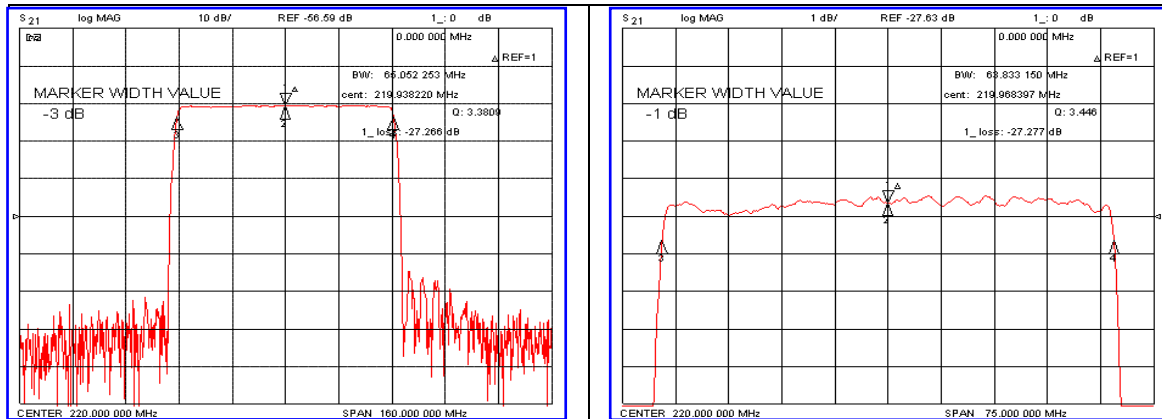


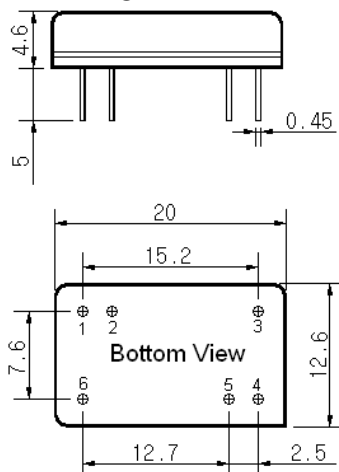
Typical Performance



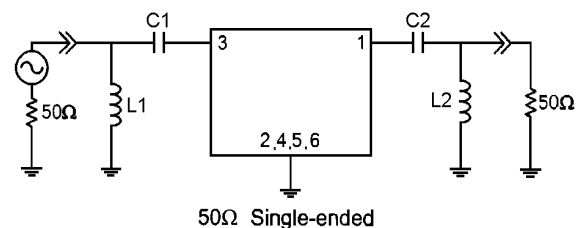
Specification

Parameter	Unit	Min.	Typ.	Max.
Center Frequency	MHz	-	220.00	-
Insertion Loss	dB	-	30.50	32.00
1dB Bandwidth	MHz	-	63.83	-
3dB Bandwidth	MHz	64.70	65.05	-
40dB Bandwidth	MHz	-	69.95	70.20
Passband Ripple($F_c \pm 30\text{MHz}$)	dB	-	0.55	1.00
Group Delay Variation($F_c \pm 30\text{MHz}$)	nsec	-	20	50
Absolute Delay	μsec	-	0.81	-
Ultimate Attenuation	dB	-	45	-
Substrate Material	-	128-LiNbO ₃		
Temperature Coefficient	ppm/ $^{\circ}\text{C}$	-72		

Package Dimension



Matching Configuration



L1= L2=39nH, C1=100pF, C2=150pF
 Source / Load Impedance = 50Ω
 Ambient Temperature = 25°C

Rev0. 070704

